

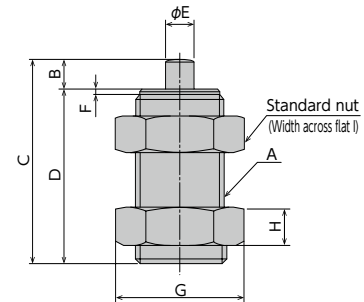
Soft Absorber

Short Stroke Type | Multiple-orifice type
Fixed Type | Adjustable type | Self-adjusting

FV Series

RoHS Compliant

●Products specification might be changed without notice.



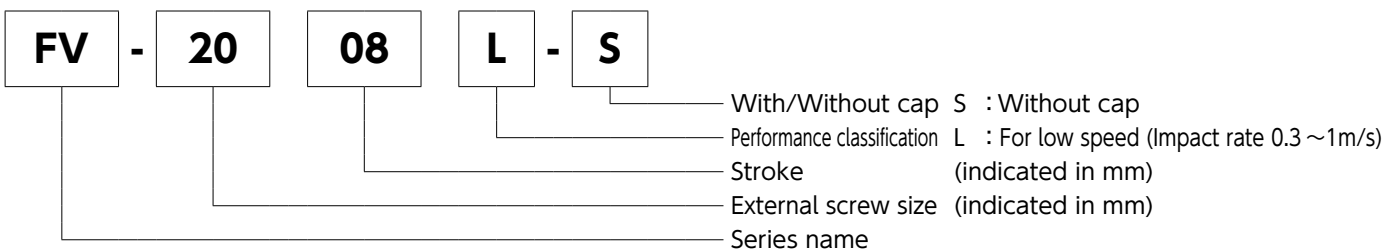
Dimensions

Model	A	B	C	D	φE	F	G	H	I
FV-1406L-S	M14×1.5	6	46	40	4	2	19.6	6	17
FV-1606L-S	M16×1.5	6	46	40	5	2	21.9	6	19
FV-2008L-S	M20×1.5	8	55	47	6	1.5	27.7	8	24
FV-2508L-S	M25×1.5	8	55	47	8	1.5	37	10	32
FV-2708L-S	M27×1.5	8	55	47	8	1.5	37	10	32

Specifications

Model	Stroke mm	Max. absorption energy J (kgf·m)	Max. equivalent mass kg (kgf)	Range of impact rate m/s	Max. drag N (kgf)	Max. cycle rate cycle/min	Max. absorption energy per minute J/min (kgf·m/min)	Recovering power of the piston rod N (kgf)	Operating temperature °C	Mass g
FV-1406L-S	6	4.5 (0.46)	80 (80)	0.3~1	2,000 (204)	45	100 (10.2)	15 (1.5) 以下	-5~70	42
FV-1606L-S	6	5.5 (0.56)	120 (120)	0.3~1	2,700 (276)	45	130 (13.3)	20 (2) 以下	-5~70	53
FV-2008L-S	8	8.8 (0.9)	70 (70)	0.3~1	3,430 (350)	60	200 (20.4)	14.7 (1.5) 以下	-5~70	108
FV-2508L-S	8	13.7 (1.4)	110 (110)	0.3~1	5,390 (550)	60	300 (30.6)	21.6 (2.2) 以下	-5~70	199
FV-2708L-S	8	19.6 (2.0)	150 (150)	0.3~1	7,350 (750)	60	350 (35.7)	23.5 (2.4) 以下	-5~70	206.7

Key to Model Number



Precautions for Use

- * Do not use this product without carefully reading the attached owner's manual.
- * Do not turn the oil inlet screw located at the bottom of the main unit.
- * Ensure that sufficient mounting strength is secured for this product. (As a guideline, it should be 2 to 3 times the maximum drag listed in the catalogue.)
- * Do not use this product in a vacuum or a location where it may come in contact with oil.
- * Ensure that an eccentric load is not applied to the soft absorber. (Allowable eccentric angle: ±2.5°)
- * Ensure that an external stopper is also used.

Standard nuts are sold separately as well.

Applicable model	Model
FV-1406L	M14 nut
FV-1606L	M16 nut
FV-2008L	M20 nut
FV-2508L	M25 nut
FV-2708L	M27 nut