

Soft Absorber

Short Stroke Type

Single-Orifice

Fixed Type

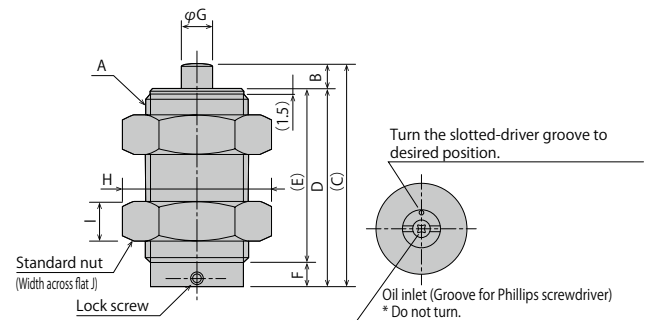
Adjustable type

Self-adjusting

FS Series

RoHS Compliant

● Products specification might be changed without notice.



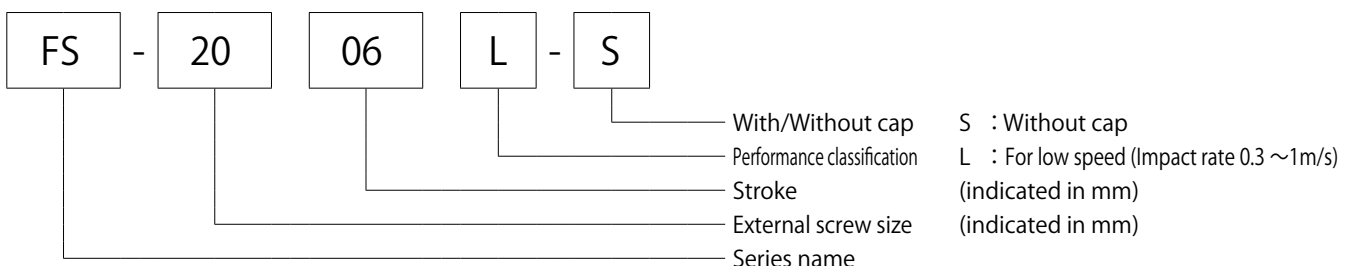
Dimensions

Model	A	B	C	D	E	F	ϕG	H	I	J
FS-1406L-S	M14×1.5	6	55	49	41	8	4	19.6	6	17
FS-1606L-S	M16×1.5	6	55	49	41	8	5	21.9	6	19
FS-2006L-S	M20×1.5	6	55	49	43	6	6	27.7	8	24
FS-2506L-S	M25×1.5	6	55	49	43	6	8	37	10	32
FS-2706L-S	M27×1.5	6	55	49	43	6	8	37	10	32

Specifications

Model	Stroke mm	Max. absorption energy J (kgf·m)	Max. equivalent mass kg (kgf)	Range of impact rate m/s	Max. drag N (kgf)	Max. cycle rate cycle/min	Max. absorption energy per minute J/min (kgf·m/min)	Recovering power of the piston rod N (kgf)	Operating temperature °C	Mass g
FS-1406L-S	6	3.5 (0.36)	80 (80)	0.3~1	2,000 (204)	45	100 (10.2)	20 (2) or lower	-5~70	49
FS-1606L-S	6	4.8 (0.49)	120 (120)	0.3~1	2,700 (276)	45	130 (13.3)	20 (2) or lower	-5~70	63
FS-2006L-S	6	7.8 (0.8)	60 (60)	0.3~1	3,920 (400)	60	200 (20.4)	16.7 (1.7) or lower	-5~70	114
FS-2506L-S	6	11.7 (1.2)	90 (90)	0.3~1	5,880 (600)	60	300 (30.6)	19.6 (2.0) or lower	-5~70	210
FS-2706L-S	6	15.6 (1.6)	120 (120)	0.3~1	7,840 (800)	60	350 (35.7)	22.6 (2.3) or lower	-5~70	221

Key to Model Number



Precautions for Use

- * Do not use this product without carefully reading the attached owner's manual.
- * Ensure that an external stopper is also used.
- * Ensure that sufficient mounting strength is secured for this product. (As a guideline, it should be 2 to 3 times the maximum drag listed in the catalogue.)
- * Do not use this product in a vacuum or a location where it may come in contact with oil.
- * Ensure that an eccentric load is not applied to the soft absorber. (Allowable eccentric angle: $\pm 2.5^\circ$)
- * Do not turn the oil inlet screw located at the bottom of the main unit.

Characteristics

- * To adjust, turn the adjustment knob with a slotted screw driver
- * Because the adjustment can be done in an analog manner, a value between two integers on the indicator can be set.

Standard nuts are sold separately as well.

Applicable model	Model
FS-1406L	M14 nut
FS-1606L	M16 nut
FS-2006L	M20 nut
FS-2506L	M25 nut
FS-2706L	M27 nut