

# Soft Absorber

Single-orifice	Multiple-orifice
Fixed Type	Adjustable type
	Self-adjusting

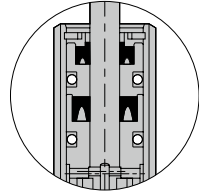
## FA-S Series (Dust Seal Specifications)

**RoHS Compliant**

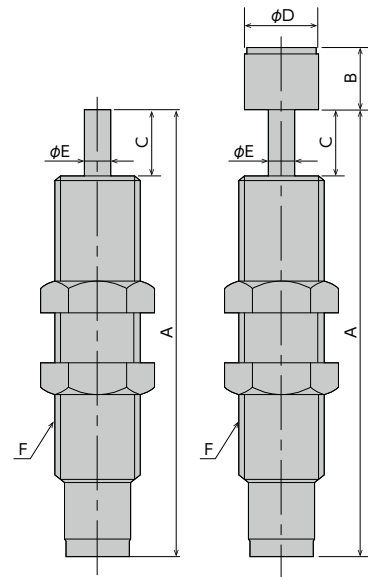
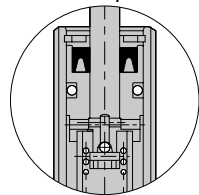
●Products specification might be changed without notice.



Dust seal specifications



Standard product



## Dimensions

Model	A	B	C	D	E	F	Mass g	Specification Page
FA-S1210M□-S	76	8	10	8	3.5	M12×1	41	50
FA-S1210M□-C						44	50	
FA-S1410R□-S	80	8	10	10	3.5	M14×1.5	63	52
FA-S1410R□-C						68	52	
FA-S1612X□-S	102	15	12	13.5	5	M16×1.5	105	54
FA-S1612X□-C						114	54	
FA-S2016E□-S	120	17	16	18	6	M20×1.5	196	58
FA-S2016E□-C						218	58	
FA-S2530G□-S	155	18	30	22	8	M25×1.5	396	62
FA-S2530G□-C						427	62	
FA-S2540L□-C	171.5	29	40	22.5	8	M27×1.5	475	66
FA-S2725F□-S	136	20	25	24	8	M27×1.5	402	68
FA-S2725F□-C						451	68	
FA-S3035TD-S	188	18.5	35	27	10	M30×1.5	708	70
FA-S3035TD-C						755	70	
FA-S3650UD-S	235	19.5	50	33	12	M36×1.5	1330	74
FA-S3650UD-C						1410	74	

Note) B or D is inserted in the □. Insert B for a single-orifice type, and insert D for a multiple-orifice type.

## Specifications

\* The specification is identical with the standard models for each type

## Precautions for Use

- \* Do not use this product in places where it may come in contact with oil as it does not have a liquid-proof structure.
- \* Please contact our sales department when the use of optional parts is planned.

\* Although the dimensions are identical to those of the FA series standard products (adjustable), the FA-S2016 series has a longer overall length (dimension A).

# Soft Absorber

Multiple-varying orifice

Fixed Type

Adjustable type

Self-adjusting

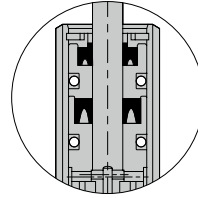
## FWM-S Series (Dust Seal Specifications)

RoHS Compliant

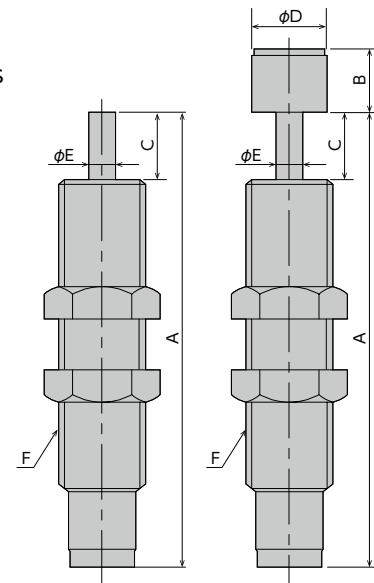
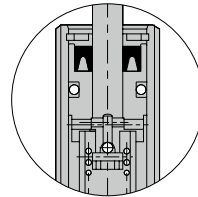
●Products specification might be changed without notice.



Dust seal specifications



Standard product



## Dimensions

Model	A	B	C	D	E	F	Mass g	Specification Page
FWM-S1210MBD-S	76	8	10	8	3.5	M12×1	41	50
FWM-S1210MBD-C							44	50
FWM-S1410RBD-S	80	8	10	10	3.5	M14×1.5	63	52
FWM-S1410RBD-C							68	52
FWM-S1612XBD-S	102	15	12	13.5	5	M16×1.5	105	54
FWM-S1612XBD-C							114	54
FWM-S2016EBD-S	120	17	16	18	6	M20×1.5	196	58
FWM-S2016EBD-C							218	58
FWM-S2530GBD-S	155	18	30	22	8	M25×1.5	396	62
FWM-S2530GBD-C							427	62
FWM-S2540LBD-C	171.5	29	40	22.5	8	M25×1.5	475	66
FWM-S2725FBD-S	136	20	25	24	8	M27×1.5	402	68
FWM-S2725FBD-C							451	68
FWM-S3035TBD-S	188	18.5	35	27	10	M30×1.5	708	70
FWM-S3035TBD-C							755	70
FWM-S3650UBD-S	235	19.5	50	33	12	M36×1.5	1330	74
FWM-S3650UBD-C							1410	74

## Specifications

\* The specification is identical with the standard models for each type

## Precautions for Use

- \* Do not use this product in places where it may come in contact with oil as it does not have a liquid-proof structure.
- \* Please contact our sales department when the use of optional parts is planned.

- \* Although the dimensions are identical to those of the FA series standard products (adjustable), the FWM-S2016 series has a longer overall length (dimension A).