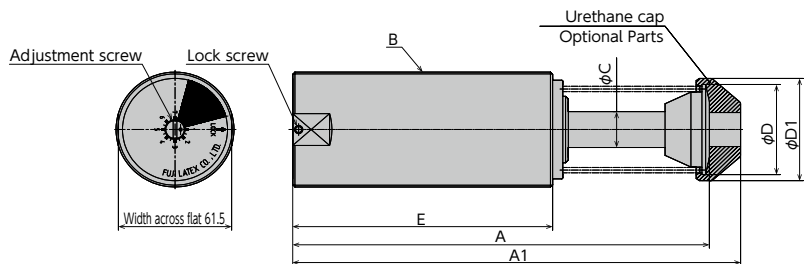


Soft Absorber

FA-6450/FA64100/FA64150 Series



* The absorber's main unit does not come with nuts.

Dimensions

Model	A	A1	B	C	D	D1	E
FA-6450□-C	226	243	M64×2	20	50.2	57	141
FA-64100□-C	328	345			60		191
FA-64150□-C	456	473					241

* A1 and D1 are dimensions with the optional urethane cap attached. (Urethane cap type: OP-090M64A)

Specifications

Model	Stroke mm	Max. absorption energy J (kgf·m)	Max. equivalent mass kg (kgf)	Range of impact rate m/s	Max. drag N (kgf)	Max. cycle rate cycle/min	Absorption energy per minute J/min (kgf·m/min)	recovering power of the piston rod N (kgf)	Operating temperature °C	Mass g	Allowable eccentric angle
FA-6450Z-C	50	2,300 (234.7)	10,000~110,000(10,000~110,000)	0.02~0.3	90,000 (9,184)	3	164,608 (16,797)	150 (15.3)	-5~70	2.5	±2.5
FA-6450L-C			1,000~11,000(1,000~11,000)	0.3~1.0		15					
FA-6450H-C			200~1,800(200~1,800)	0.3~3.6		15					
FA-64100L-C	100	4,550 (464.3)	2,000~38,000(2,000~38,000)	0.3~1.0		10	214,118 (21,849)	180 (18.4)			
FA-64100H-C			250~2,500(250~2,500)	0.3~3.6		10					
FA-64150L-C	150	6,800 (693.9)	4,000~52,000(4,000~52,000)	0.3~1.0		8	275,556 (28,118)	370 (37.8)			
FA-64150H-C			300~5,500(300~5,500)	0.3~3.6	8						

Precautions for Use

- * Do not use this product without carefully reading the attached owner's manual.
- * We recommend that you use it with an external stopper(Stopper nut OP-020M64).
- * Ensure that sufficient mounting strength is secured for this product. (As a guideline, it should be 2 to 3 times the maximum drag listed in the catalogue.)
- * Do not use this product in a vacuum or a location where it may come in contact with oil.
- * Ensure that an eccentric load is not applied to the soft absorber.
- * The urethane caps are consumables. Please replace them when necessary. (Allowable eccentric angle: within ±2.5°)

Adjustment Method

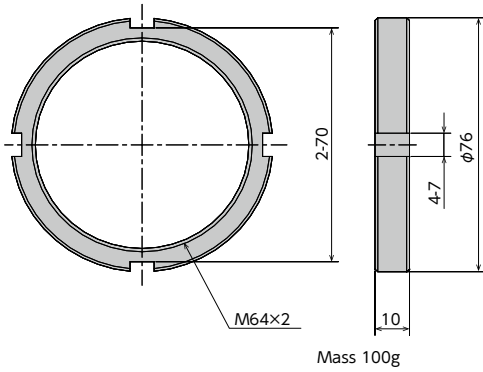
- * To adjust, turn the adjustment knob located at the bottom of the main unit.
- * Because the adjustment can be done in an analog manner, a value between two integers on the indicator can be set.
- * Once the adjustment is complete, secure with a lock screw using a hex wrench.

●Products specification might be changed without notice.

Optional Parts

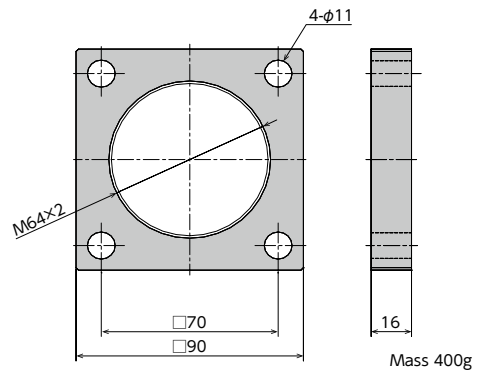
Nut OP-M64

Model
OP-M64



Square flange OP-040 M64SF

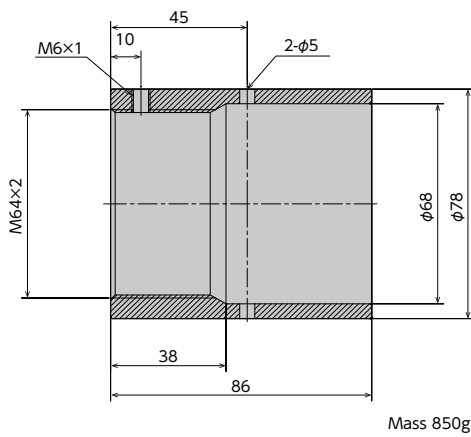
Model
OP-040M64SF



Stopper nut S OP-020 M64S

Model
OP-020M64S

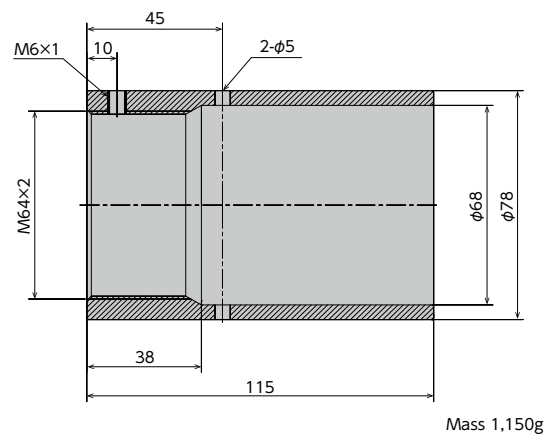
● Adjust so that it stops 1mm before the stroke end, and fasten with the main unit's nut until secured.



Stopper nut L OP-020 M64L * Exclusive for FA (FK) -64150

Model
OP-020M64L

● Adjust so that it stops 1mm before the stroke end, and fasten with the main unit's nut until secured.



Urethane cap OP-090 M64A

Model
OP-090M64A

