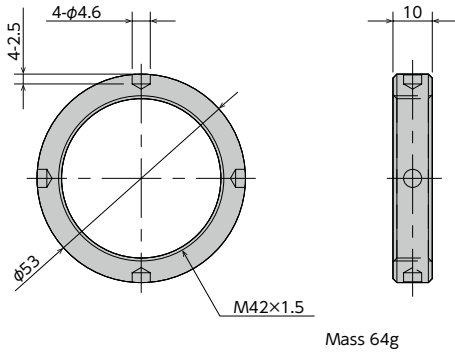


●Products specification might be changed without notice.

## Optional Parts

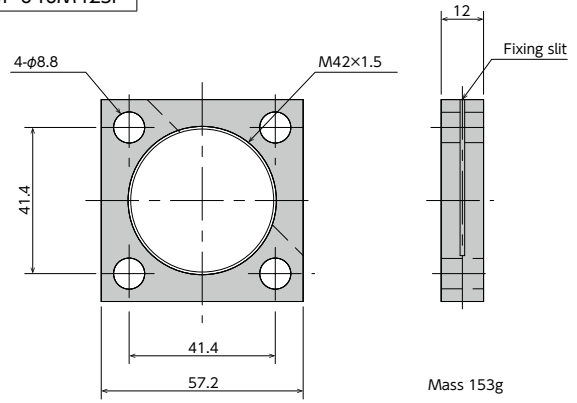
### Nut OP-M42

Model
OP-M42



### Square flange OP-040 M42SF

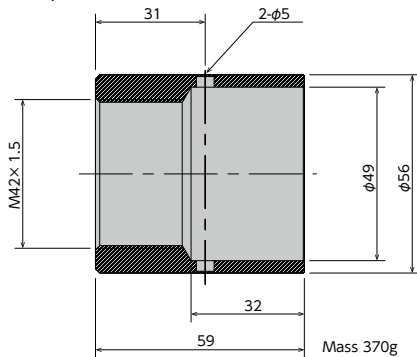
Model
OP-040M42SF



### Stopper nut OP-020 M42

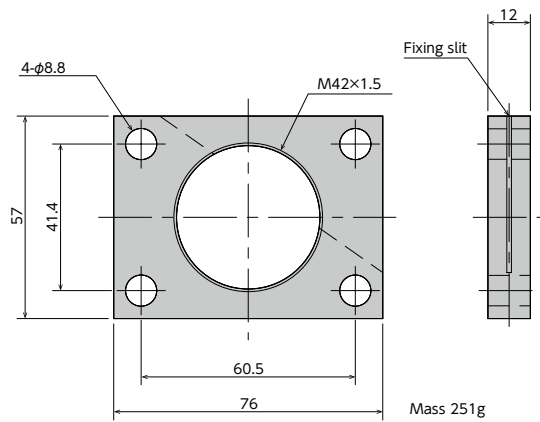
Model
OP-020M42

● Once the attachment site is determined, use the main unit's nut to securely fasten in place.



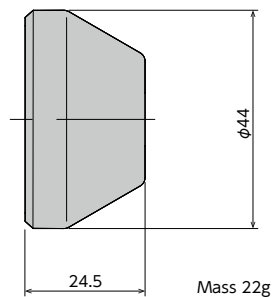
### Rectangle flange OP-040 M42RF

Model
OP-040M42RF



### Urethane cap OP-090 M42A

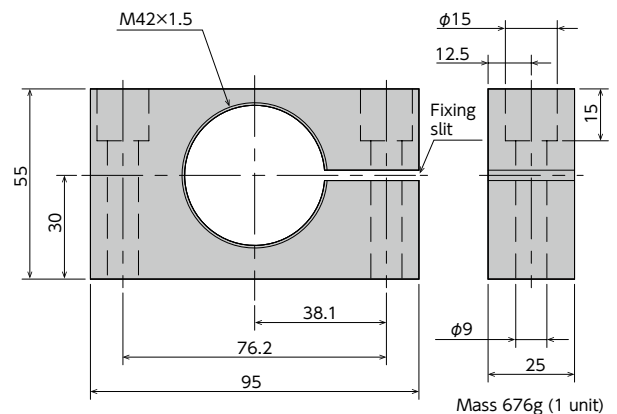
Model
OP-090M42A



### Side mount OP-M42SM

Model
OP-M42SM

\* Side mount is sold as a set of two.  
\* Recommended bolt: M8 X 50 hexagon socket head bolt



# Soft Absorber

Fixed Type Adjustable type Self-adjusting

FA-4225B/FA-4225SL/FA-4250B/FA-4250SL Series

RoHS Compliant

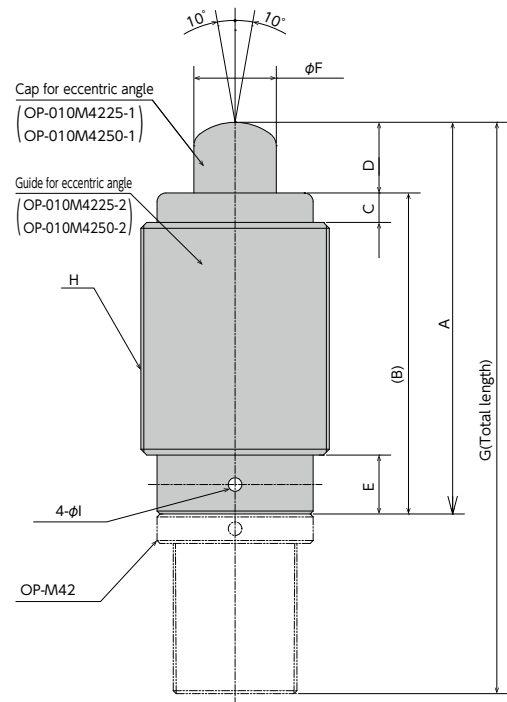
● Products specification might be changed without notice.

## Optional Parts

### Eccentric angle adaptor OP-010M4225/M4250

Model
OP-010M4225
OP-010M4250

- Screw the eccentric angle adaptor into the main unit until the cap for the eccentric angle and the piston rod form a tight connection. While maintaining this position, fasten the main unit's nut until secured.
- Use the eccentric angle adaptor when the eccentric angle is 2.5° or larger.
- The main unit can also be used as a stopper.
- Use it with a capless soft absorber.
- The maximum operating eccentric angle with an eccentric angle adaptor is  $\pm 10^\circ$ .
- Nut for unit is not inclusive.
- Not usable for FA-4250YD-C, FWM-4250YBD-C.
- The caps and the guides for inclined use are not unbundled.

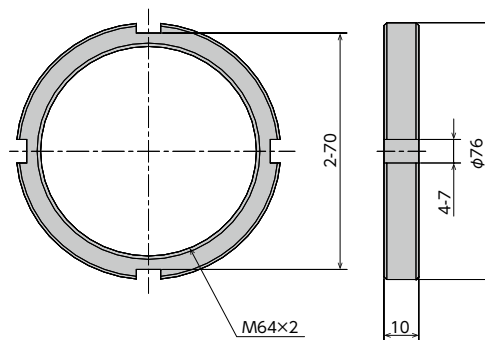


Model	A	B	C	D	E	$\phi F$	G	H	$\phi I$	Weight g
OP-010M4225	133	109	10	24	20	28	194	M64×2	4.6	1,600
OP-010M4250	203	154		49			290			2,500

### Nut OP-M64

Model
OP-M64

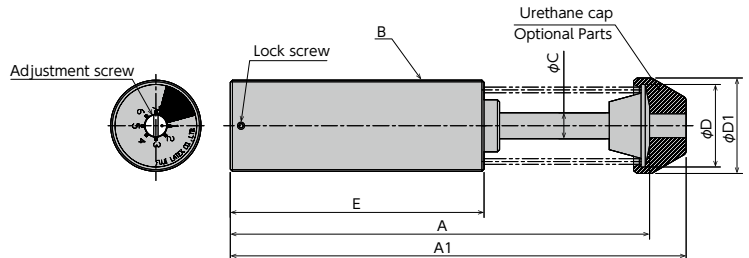
- Usable as the nut for eccentric angle adaptor



Mass 100g

# Soft Absorber

FA-4225B/FA-4250B/FA-4225SL/FA-4250SL/FA-4275B Series



\*The absorber's main unit does not come with nuts.

## Dimensions

Model	A	A1	B	C	D	D1	E
FA-4225B3/SL-C	144	162	M42×1.5	12	38	44	92
FA-4250B3/SL-C	195	213					118
FA-4275B3-C	246	264					143

## Specifications

Model	Stroke mm	Max. absorption energy J (kgf·m)	Max. equivalent mass kg (kgf)	Range of impact rate m/s	Max. drag N (kgf)	Max. cycle rate cycle/min	Absorption energy per minute J/min (kgf·m/min)	Recovering power of the piston rod N (kgf)	Operating temperature °C	Mass g		
FA-4225B3-C	25	260 (26.5)	3,400 (3,400)	0.3~3.0	31,590 (3,223)	20	1,858 (190)	120 (12.2)	-5~70	795		
FA-4225SL-C			81,400 (81,400)	0.05~0.5		10						
FA-4250B3-C	50	520 (53.1)	6,500 (6,500)	0.3~3.0		10					2,372 (242)	
FA-4250SL-C			162,700 (162,700)	0.05~0.5		5						
FA-4275B3-C	75	780 (79.6)	9,700 (9,700)	0.3~3.0		6					3,345 (341)	1,240

## Precautions for Use

- \* Do not use this product without carefully reading the attached owner's manual.
- \* Ensure that an external stopper (Stopper nut OP-020M42) is also used.
- \* Do not turn the oil inlet screw located at the bottom of the main unit.
- \* Ensure that sufficient mounting strength is secured for this product. (As a guideline, it should be 2 to 3 times the maximum drag listed in the catalogue.)
- \* Do not use this product in a vacuum or a location where it may come in contact with oil.
- \* Ensure that an eccentric load is not applied to the soft absorber (Allowable eccentric angle: within  $\pm 2.5^\circ$ )
- \* The urethane caps are consumables. Please replace them when necessary.

## Adjustment Method

- \* To adjust, turn the adjustment knob located at the bottom of the main unit.
- \* Because the adjustment can be done in an analog manner, a value between two integers on the indicator can be set.
- \* Once the adjustment is complete, secure with a lock screw using the attached hex wrench.