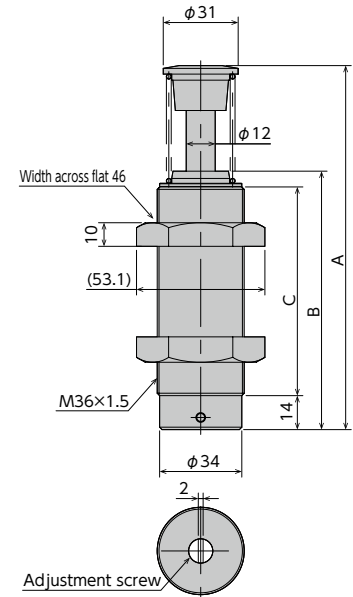


Soft Absorber

FA-3625A/FA-3650A/FA-3625SL/FA-3650SL Series



Dimensions

Model	A	B	C
FA-3625A1/A3/SL-C	150	106.5	86
FA-3650A2/A3/SL-C	217	148.5	128

Specifications

Model	Stroke mm	Max. absorption energy J (kgf·m)	Max. equivalent mass kg (kgf)	Range of impact rate m/s	Max. drag N (kgf)	Max. cycle rate cycle/min	Absorption energy per minute J/min (kgf·m/min)	recovering power of the piston rod N (kgf)	Operating temperature °C	Mass g
FA-3625A1-C	25	200 (20.4)	2,000 (2,000)	0.3~1.0	25,000 (2,551)	30	1,500 (153)	100 (10.2) or lower	-5~70	780
FA-3625A3-C			700 (700)	0.7~3.0		15				
FA-3625SL-C			62,500 (62,500)	0.05~0.5		30	2,352 (240)	120 (12.2) or lower		
FA-3650A2-C	50	400 (40.8)	2,700 (2,700)	0.3~2.0		15				
FA-3650A3-C			1,400 (1,400)	0.7~3.0		30				
FA-3650SL-C			124,800 (124,800)	0.05~0.5		15				

Precautions for Use

- * Do not use this product without carefully reading the attached owner's manual.
- * Ensure that an external stopper (Stopper nut OP-020M36) is also used.
- * Do not turn the oil inlet screw located at the bottom of the main unit.
- * Ensure that sufficient mounting strength is secured for this product. (As a guideline, it should be 2 to 3 times the maximum drag listed in the catalogue.)
- * Do not use this product in a vacuum or a location where it may come in contact with oil.
- * Ensure that an eccentric load is not applied to the soft absorber (Allowable eccentric angle: within $\pm 2.5^\circ$)

Adjustment Method

- * To adjust, turn the adjustment knob with a slotted screw driver.
- * Because the adjustment can be done in an analog manner, a value between two integers on the indicator can be set.
- * It does not have a lock screw for locking the adjusted setting.

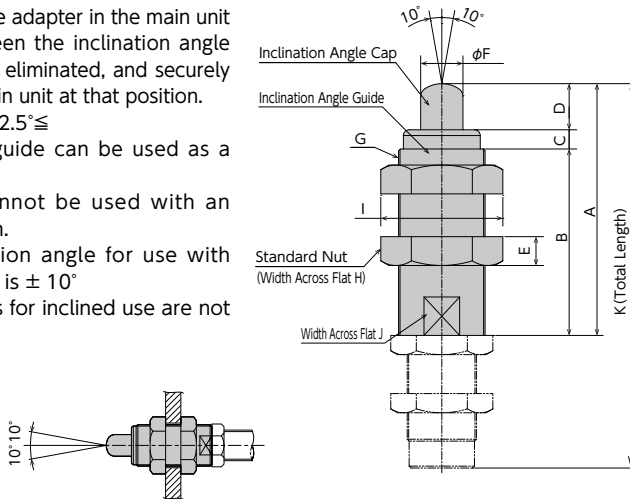
●Products specification might be changed without notice.

Optional Parts

Inclination angle Adapter OP-010-M3625/M3650

Model
OP-010-M3625
OP-010-M3650

- Screw an inclination angle adapter in the main unit until the backlash between the inclination angle cap and the piston rod is eliminated, and securely tighten the nut for the main unit at that position.
- For an inclination angle $2.5^\circ \leq$
- The inclination angle guide can be used as a stopper as well
- The soft absorber cannot be used with an optional urethane cap on.
- The maximum inclination angle for use with inclination angle adapter is $\pm 10^\circ$
- The caps and the guides for inclined use are not unbundled.

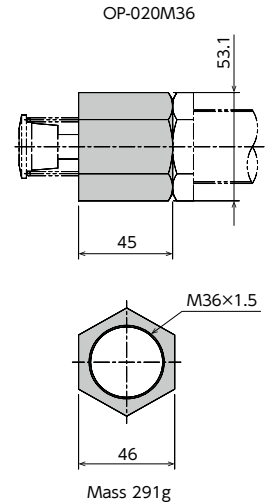


Model	A	B	C	D	ϕF	E	K	G	H	I	J	Mass g
OP-010-M3625	131	107	10	24	22	15	200	M45×1.5	55	63.5	41	880
OP-010-M3650	201	152	10	29			312					1,270

Stopper nut OP-020M36

Model
OP-020M36

- Adjust so that it stops 1mm before the stroke end, and fasten with the main unit's nut until secured.

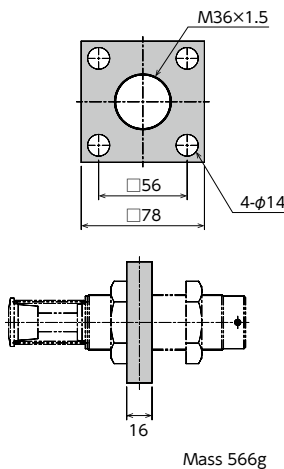


Note) When attaching, make sure that the side without a bearing chamfer is the impact surface.

Square flange OP-040UB

Model
OP-040UB

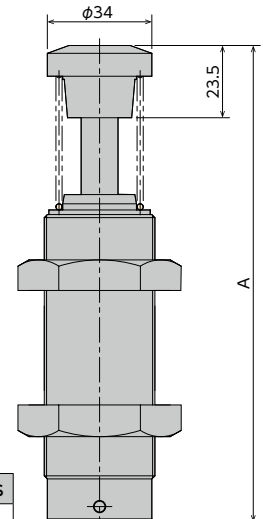
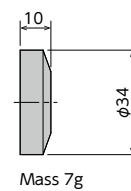
- Once the attachment site is determined, use the main unit's nut to securely fasten in place.



Urethane cap OP-090M36B

Model
OP-090M36B

OP-090M36B



Model	A Dimensions
FA-3625A1/A3/SL-C	155
FA-3650A2/A3/SL-C	222

Dimensions with urethane cap attached

Standard nuts are sold separately as well.

Applicable Models	Model
FA-3625A	M36A nut
FA-3625SL	
FA-3650A	
FA-3650SL	