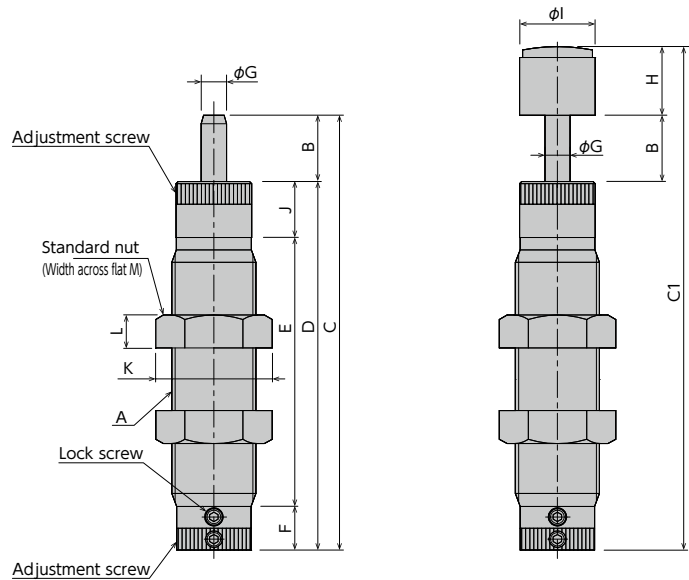


Soft Absorber

FA-2016EA/FA-2725FA Series



Dimensions

Model	A	B	C	C1	D	E	F	φG	H	φI	J	K	L	M
FA-2016EA-S/C	M20×1.5	16	105	122	89	65	10.5	6	17	18	13.5	27.7	8	24
FA-2725FA-S/C	M27×1.5	25	136	156	111	86.5	10.5	8	20	23	14	37	10	32

Note) To place an order without a cap, put -S at the end of the model number; to place an order with a cap, put -C at the end of the model number; and to place an order for a crevice type, put -U at the end of the model number.

Specifications

Model	Stroke mm	Max. absorption energy J (kgf·m)	Max. equivalent mass kg (kgf)	Range of impact rate m/s	Max. drag N (kgf)	Max. cycle rate cycle/min	Absorption energy per minute J/min (kgf·m/min)	recovering power of the piston rod N (kgf)	Operating temperature °C	Mass g	Allowable eccentric angle
FA-2016EA-S	16	25.4 (2.6)	200 (200)	0.15~3.0	3,610	60	343 (35)	35.2 (3.59) or lower	-5~70	173	±2.5
FA-2016EA-C										191	
FA-2725FA-S	25	79.3 (8.1)	500 (500)	0.15~3.0	7,200	60	539 (55)	44.2 (4.51) or lower		402	±2.5
FA-2725FA-C										446	

Precautions for Use

- * Do not use this product without carefully reading the attached owner's manual.
- * We recommend that you use it with an external stopper (Stopper nut OP-020EB).
- * Ensure that sufficient mounting strength is secured for this product. (As a guideline, it should be 2 to 3 times the maximum drag listed in the catalogue.)
- * Do not use this product in a vacuum or a location where it may come in contact with oil.
- * Ensure that an eccentric load is not applied to the soft absorber.
- * The urethane caps are consumables. Please replace them when necessary.

Adjustment Method

- * To adjust, turn the adjustment knob located at the bottom of the main unit.
- * Because the adjustment can be done in an analog manner, a value between two integers on the indicator can be set.
- * Once the adjustment is complete, secure with a lock screw using a hex wrench.

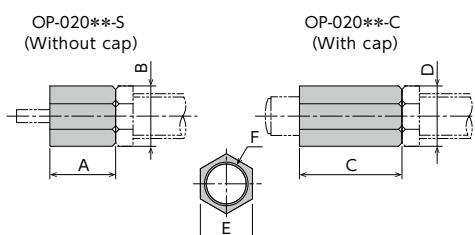
● Products specification might be changed without notice.

Optional Parts

Stopper nut OP-020EB, OP-020FB

Model
OP-020EB-S
OP-020EB-C
OP-020FB-S
OP-020FB-C

- Adjust so that it stops 1mm before the stroke end, and fasten with the main unit's nut until secured.



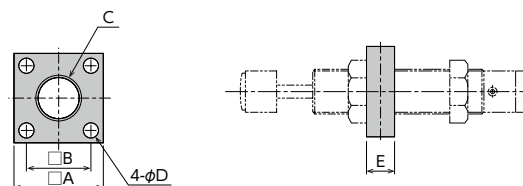
Note) When attaching, make sure that the side without a bearing chamfer is the impact surface.

Model	A	B	C	D	E	F	Mass g
OP-020EB-*	30	27.7	47	27.7	24	M20X1.5	S 46
							C 68
OP-020FB-*	35	37	55	37	32	M27X1.5	S 90
							C 137

Square flange OP-040EB, OP-040FB

Model
OP-040EB
OP-040FB

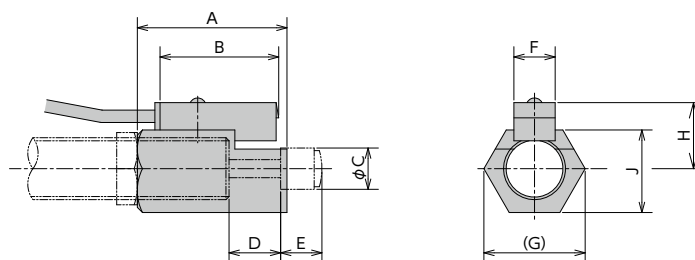
- Once the attachment site is determined, use the main unit's nut to securely fasten in place.



Model	A	B	C	φD	E	Mass g
OP-040EB	40	28	M20×1.5	6.5	12	109
OP-040FB	50	36	M27×1.5	9	12	157

Holder with a switch OP-032** (With stopper function)

Model
OP-032EB
OP-032FB



Model	A	B	C	D	E	F	G	H	J	Mass g
OP-032EB	50	21	18	16	17	8	28	18	24	80
OP-032FB	56	21	23	25	20	8	34.6	21	30	107

- Although a holder with a switch can be ordered on its own, we strongly recommend ordering one with the main unit. Please include the main unit's model number when placing an order.
- For switch specifications and precautions for use, please refer to page 23.

Standard nuts are sold separately as well.

Applicable Models	Model
FA-2016EA	M20 nut
FA-2725FA	M27 nut