

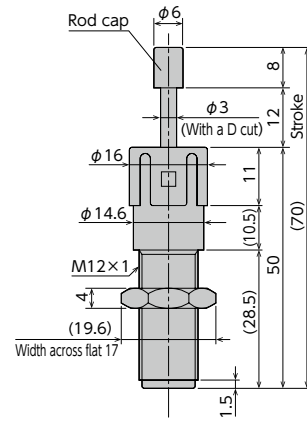
# Soft Absorber

Bellofram Seal Type Dashpot Structure  
Fixed Type Adjustable type Self-adjusting

## FA-1212C Series

RoHS Compliant

●Products specification might be changed without notice.



## Specifications

Model	Max. absorption energy J(kgf·m)	Speed range m/s	Max. equivalent mass kg(kgf)	Max. drag N(kgf)	Absorption energy per minute J/min(kgf·m/min)	Max. cycle rate cycle/min	Rod cap colour
FA-1212C1-C	0.29(0.03)	0.1~1.0	1.5(1.5)	245(25)	14.7(1.5)	45	White
FA-1212C2-C	0.49(0.05)		3(3)	294(30)			Black
FA-1212C3-C	1.0(0.10)		5(5)				Yellow
FA-1212C4-C		0.1~0.7	7.5(7.5)	5	Green		
FA-1212C5-C		0.1~0.5	10(10)	Red			

## Common Specifications

Stroke	mm	12
Recovering power of the piston rod	N(kgf)	2.45(0.25)or less
Operating temperature	°C	-10~50
Mass	g	15
Main unit material		Resin

## Precautions for Use

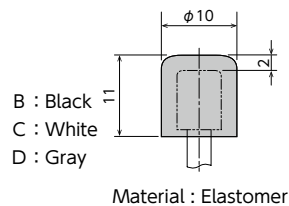
- \* Do not use this product without carefully reading the attached owner's manual.
- \* Use with an external stopper.
- \* Ensure that sufficient mounting strength is secured for this product. (As a guideline, it should be 2 to 3 times the maximum drag listed in the catalogue.)
- \* Do not turn the oil inlet screw located at the bottom of the main unit.
- \* 2 or more of this product can be used in parallel.
- \* Do not use this product in a vacuum or a location where it may come in contact with oil.
- \* Ensure that an eccentric load is not applied to the soft absorber. (Allowable eccentric angle: within  $\pm 2.5^\circ$ )
- \* Do not over-tighten the main unit and nuts. Please use the tightening torque (1.5N·m) listed in the owner's manual. If anchoring the absorber against the  $\phi 14.6$  unit, please use a tightening torque of 1.0N·m.

## Optional Parts

### Muting cap OP-090-M12B/C/D

Model
OP-090-M12B
OP-090-M12C
OP-090-M12D

- A muting cap reduces the collision noise.
- To use, place it over a rod cap in the FA-1212C series.
- Stroke length is 11mm.



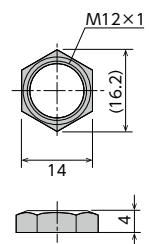
B : Black  
C : White  
D : Gray

Material : Elastomer

### Small hexagon nut M12B

Model
M12B

- It is ideal for tight spaces, as it is smaller than the conventional hexagon nuts.



Standard nuts are sold separately as well.

Applicable Models	Model
FA-1212C	FA-1212C nut

●Products specification might be changed without notice.

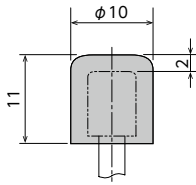
## Optional Parts

### Muting cap OP-090-M12B/C/D

Model
OP-090-M12B
OP-090-M12C
OP-090-M12D

- A muting cap reduces the collision noise.
- To use, place it over a rod cap in the FA-1212L series.
- Stroke length is 11mm.

B : Black  
 C : White  
 D : Gray

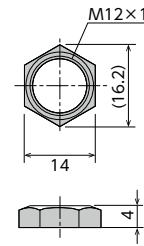


Material: Elastomer

### Small hexagon nut M12B

Model
M12B

- It is ideal for tight spaces, as it is smaller than the conventional hexagon nuts.



The standard nut is also sold separately.

Applicable Models	Model
FA-1212L	Nut for FA-1212C