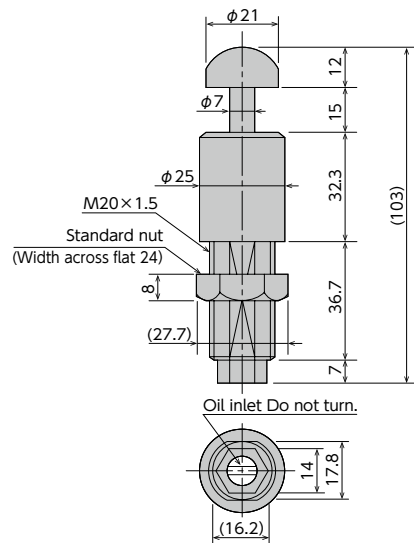
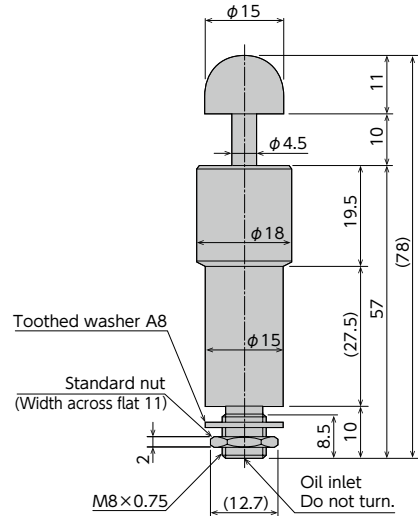


Soft Absorber

FA-1010D/FA-1215B Series



Specifications

| Model | Stroke mm | Max. absorption energy J (kgf·m) | Max. equivalent mass kg (kgf) | Max. drag N (kgf) | Absorption energy per minute J/min (kgf·m/min) | Recovering power of the piston rod N (kgf) | Mass g |
|-------------|-----------|----------------------------------|-------------------------------|-------------------|---|--|--------|
| FA-1010D2-C | 10 | 0.98(0.1) | 10(10) | 980(100) | 44.1(4.5) | 5.88(0.6) or lower | 41.5 |
| FA-1010D3-C | | 2.05(0.21) | 15(15) | | 78.4(8.0) | | |
| FA-1010D4-C | | 3.23(0.33) | 20(20) | | | | |
| FA-1215B1-C | 15 | 7.84(0.8) | 30(30) | 1470(150) | 245(25) | 11.8(1.2) or lower | 116 |
| FA-1215B2-C | | 11.7(1.2) | 40(40) | 1960(200) | | | |

Common Specifications

| | | |
|-----------------------|-----------|--|
| Operating speed range | m/s | 0.1~1.0(0.1 to 0.5 for the FA-1215 series) |
| Max. cycle rate | cycle/min | 45((30 for the FA-1215 series) |
| Operating temperature | ℃ | -10~50 |

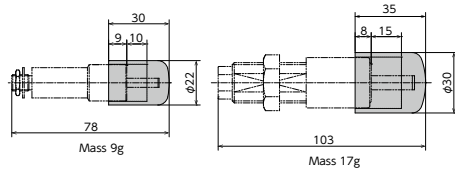
●Products specification might be changed without notice.

Optional Parts

Liquid-proof cap -060

| Model |
|-----------------|
| FA-1010D□-C-060 |
| FA-1215B□-C-060 |

- A drip-proof cap is fitted on the main unit when shipped from the factory.
- Ideal for use in environments where oil splatter poses a problem.
- Ensure that the cap is facing upward. If the cap is facing sideways or downward, it cannot provide an effective means for liquid proofing.



FA-1010D□-C-060*1

FA-1215B□-C-060*2

- *1 □ will be filled in with a type indication code 2, 3 or 4
- *2 □ will be filled in with a type indication code 1 or 2.

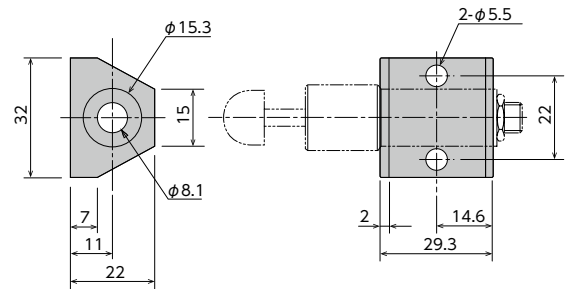
*Standard nuts are sold separately as well.

| Applicable Models | Model |
|-------------------|------------------|
| FA-1010D | FA-1010D M08 nut |
| FA-1215B | M20 nut |

Bracket OP-1012A

| Model |
|----------|
| OP-1012A |

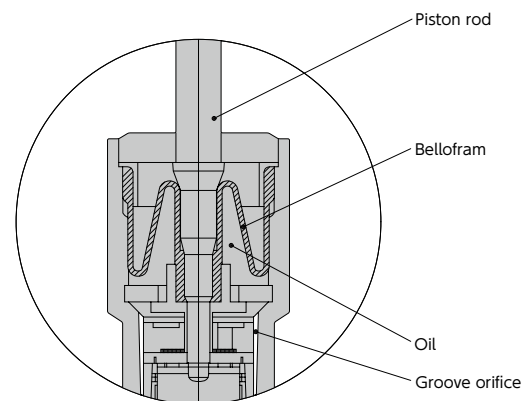
- This is a mounting fixture for FA-1010D.



Mass 25g

Bellofram Seal Type

Unlike the conventional U packing type, it uses a Bellofram seal, as shown below. Because it does not generate sliding resistance between the piston rod and the packing, the spring power required to recover the piston rod can be reduced. The Bellofram also acts as an accumulator based on its ability to change shape. In principle, as long as the Bello is not damaged, oil will never leak.



Precautions for Use

- * Do not use this product without carefully reading the attached owner's manual.
- * Use with an external stopper.
- * Ensure that sufficient mounting strength is secured for this product.
(As a guideline, it should be 2 to 3 times the maximum drag listed in the catalogue.)
- * Do not turn the oil inlet screw located at the bottom of the main unit.
- * 2 or more of this product can be used in parallel.
- * Do not use this product in a vacuum or a location where it may come in contact with oil.
- * Ensure that an eccentric load is not applied to the soft absorber.
(Allowable eccentric angle: within $\pm 2.5^\circ$)