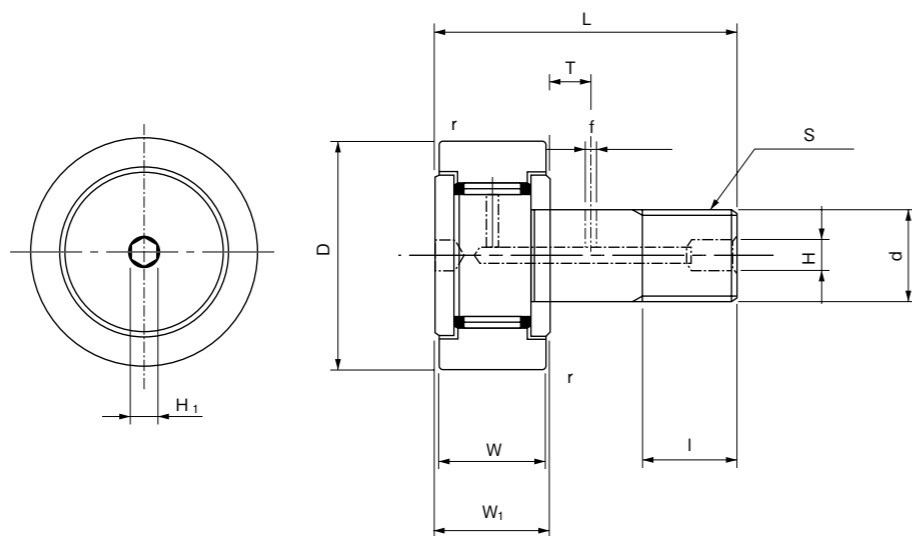
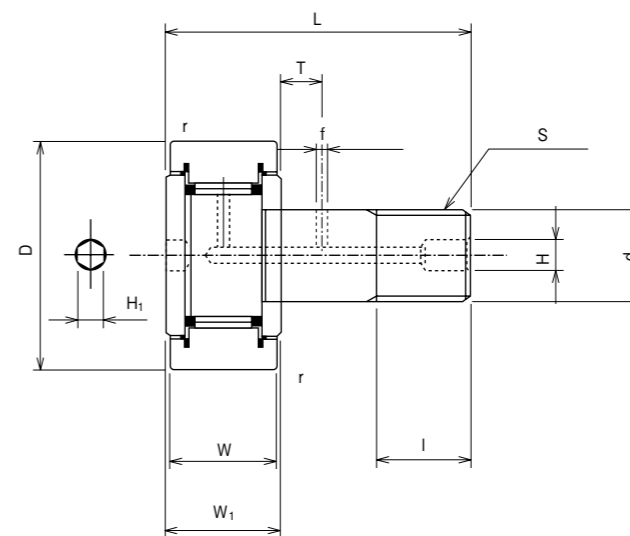


TSK Standard Cam Follower TCF (UU) Series



TCF



TCF...UU

Shaft Dia. (mm)	Type		Dimensions (mm)							
	Unsealed	Sealed	d	D	S	W	W1	L	H1	H
6	TCF-6	TCF-6UU	6	16	M 6×1	11	12	28	3	-
8	TCF-8	TCF-8UU	8	19	M 8×1.25	11	12	32	4	-
10	TCF-10	TCF-10UU	10	22	M 10×1.25	12	13	36	5	-
12	TCF-12	TCF-12UU	12	30	M 12×1.5	14	15	40	6	6
16	TCF-16	TCF-16UU	16	35	M 16×1.5	18	19.5	52	6	6
18	TCF-18	TCF-18UU	18	40	M 18×1.5	20	21.5	58	6	6
20	TCF-20	TCF-20UU	20	52	M 20×1.5	24	25.5	66	8	8
24	TCF-24	TCF-24UU	24	62	M 24×1.5	29	30.5	80	8	8
30	TCF-30	TCF-30UU	30	80	M 30×1.5	35	37	100	8	8

Dimensions (mm)										
i	T	r	f	Weight (g)	Basic Dynamic Load Rating (C)	Basic Static Load Rating (Co)	Track Load Capacity (kgf)	Revolution (rpm)	Max Tighting Torque (kgf·m)	Allowable Stud Load (kgf)
9	-	0.5	-	18.5	330	240	310	25000	0.3	200
11	-	0.5	-	28.5	390	300	370	20000	0.8	470
13	-	1	-	45	430	370	430	17000	1.2	700
14	6	1.5	3	95	710	620	640	14000	2.2	1000
18	8	1.5	3	170	1040	1090	1020	10000	5.8	1870
20	10	1.5	3	250	1410	1690	1320	8500	8.5	2570
22	12	1.5	4	460	1940	2350	2100	7000	12	3280
25	12	1.5	4	815	2600	3050	3120	6500	22	4550
32	15	2	4	1870	3470	5350	4800	5000	46	7510

Note : No lubrication hole is provided for TCF6~10