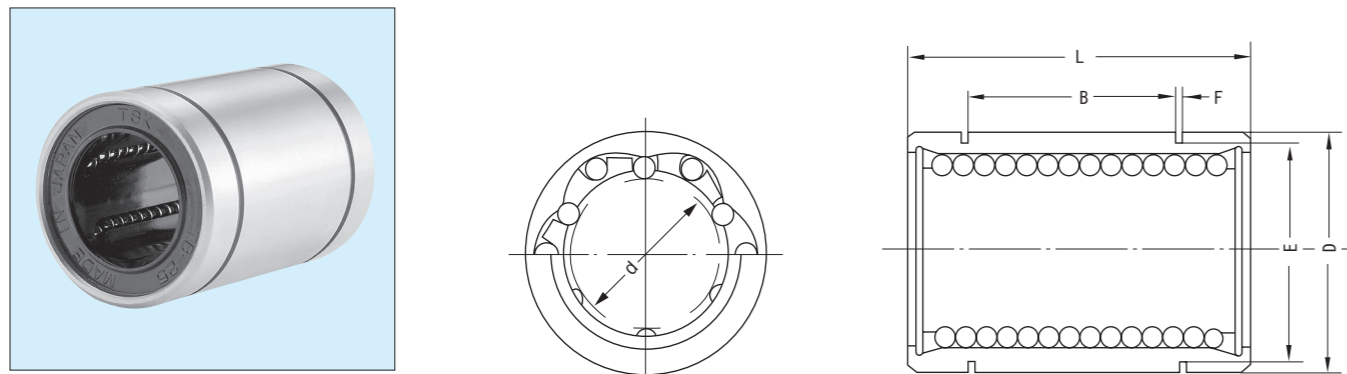
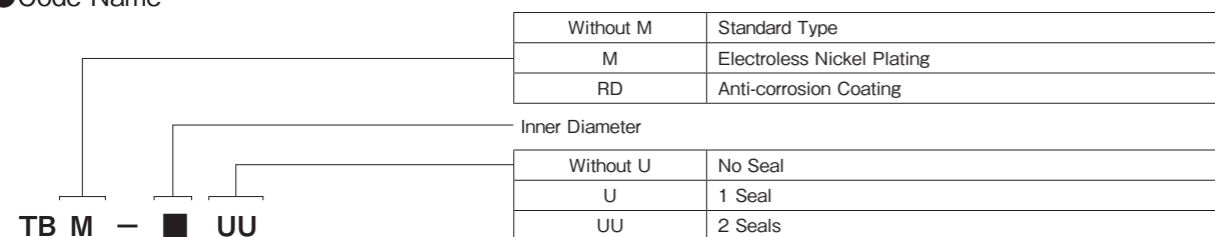


Standard Type TB Series

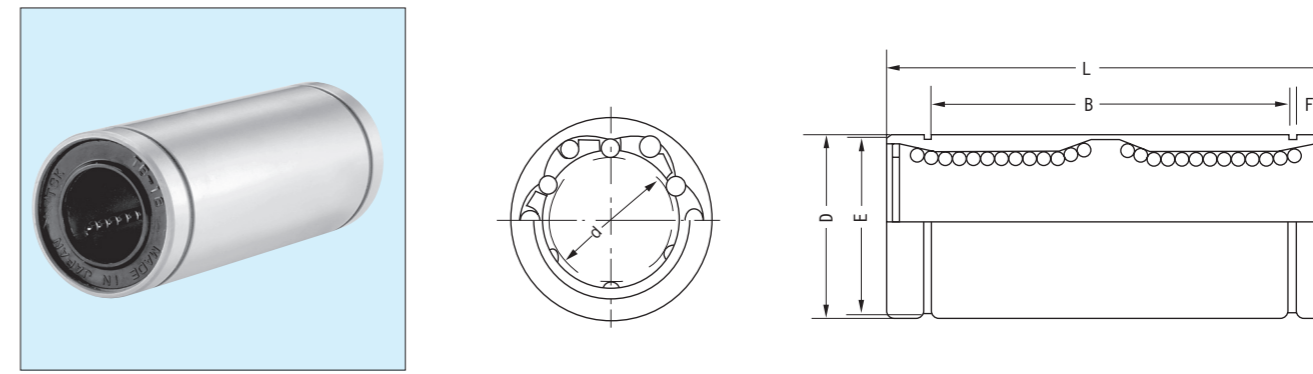


Shaft Diameter (mm)	Code Name			Inner Dia d	Outer Dia D	Width L	Groove Pitch B	Groove Base Dia E	Groove Width F	Number of Ball Circuits G	Basic Load Rating	
	Without Seal	Seal on one Side	Seal on both Side								C (N)	C ₀ (N)
6	TB-6	TB-6U	TB-6UU	6	12	19	11	11.5	1.15	4	205	264
8	TB-8	TB-8U	TB-8UU	8	15	24	15	14.3	1.15	4	264	401
10	TB-10	TB-10U	TB-10UU	10	19	29	19	18	1.35	4	372	548
12	TB-12	TB-12U	TB-12UU	12	21	30	20	20	1.35	4	411	597
13	TB-13	TB-13U	TB-13UU	13	23	32	20	22	1.35	4	509	774
16	TB-16	TB-16U	TB-16UU	16	28	37	23	26.6	1.65	5	774	1,176
20	TB-20	TB-20U	TB-20UU	20	32	42	27	30.3	1.65	5	862	1,372
25	TB-25	TB-25U	TB-25UU	25	40	59	37	38	1.9	6	980	1,568
30	TB-30	TB-30U	TB-30UU	30	45	64	40	42.5	1.9	6	1,568	2,744
35	TB-35	TB-35U	TB-35UU	35	52	70	45	49	2.2	6	1,666	3,136
40	TB-40	TB-40U	TB-40UU	40	60	80	56	57	2.2	6	2,156	4,018
50	TB-50	TB-50U	TB-50UU	50	80	100	68	76.5	2.7	6	3,822	7,938

Code Name



Standard Double Type TBW Series



Shaft Diameter (mm)	Code Name		Inner Dia d	Outer Dia D	Width L	Groove Pitch B	Groove Base Dia E	Groove Width F	Number of Ball Circuits G	Basic Load Rating	
	Without Seal	Seal on both Side								C (N)	C ₀ (N)
6	TBW-6	TBW-6UU	6	12	38	30	11.5	1.15	4	323	529
8	TBW-8	TBW-8UU	8	15	48	39	14.3	1.15	4	431	784
10	TBW-10	TBW-10UU	10	19	58	48	18	1.35	4	588	1,097
12	TBW-12	TBW-12UU	12	21	60	50	20	1.35	4	656	1,195
13	TBW-13	TBW-13UU	13	23	64	52	22	1.35	4	813	1,568
16	TBW-16	TBW-16UU	16	28	74	60	26.6	1.65	5	1,225	2,352
20	TBW-20	TBW-20UU	20	32	84	69	30.3	1.65	5	1,401	2,744
25	TBW-25	TBW-25UU	25	40	118	96	38	1.9	6	1,558	3,136
30	TBW-30	TBW-30UU	30	45	128	104	42.5	1.9	6	2,489	5,488
35	TBW-35	TBW-35UU	35	52	140	114	49	2.2	6	2,646	6,272
40	TBW-40	TBW-40UU	40	60	160	130	57	2.2	6	3,430	8,036
50	TBW-50	TBW-50UU	50	80	200	162	76.5	2.7	6	6,076	15,876

Code Name

