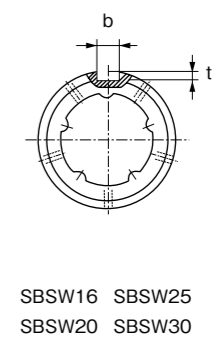
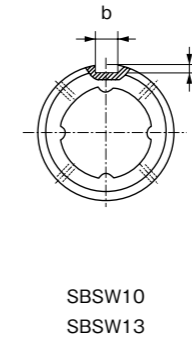
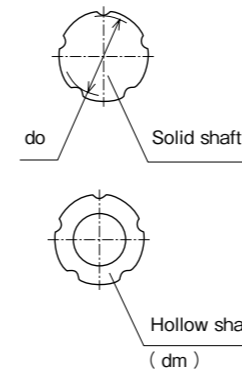
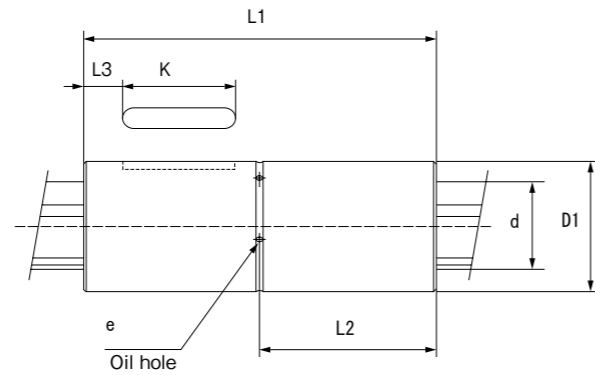
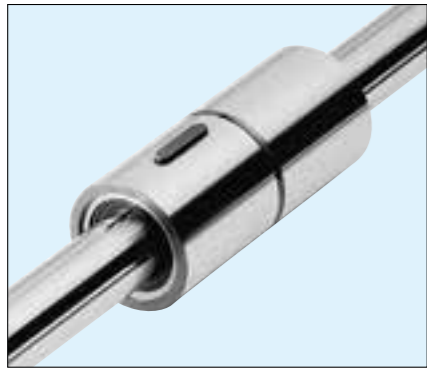


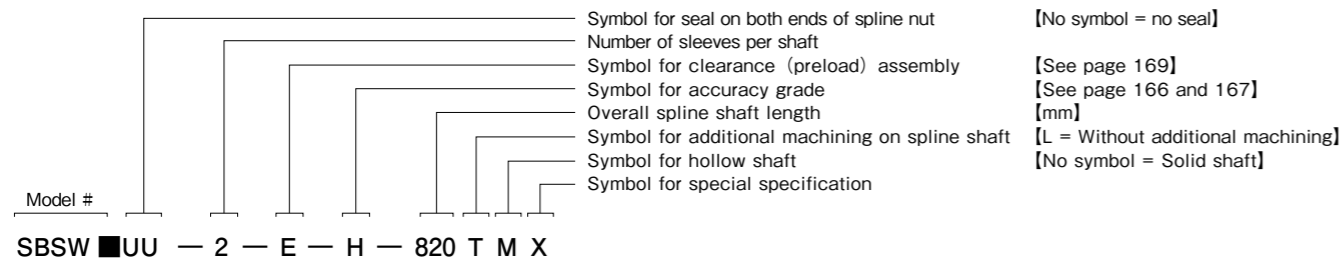
Standard Double Type SBSW Series



Shaft dia. (mm)	Model #		Outer dia.		Length L1	Dimensions of keyway					L2	Oil hole e	Bore dia. dm
	No seal	With seals	D1	(h6)		b	(H8)	t	(Tol.)	K			
10	SBSW10	SBSW10UU	21	0	59	3	+0.0	1.5	+0.050	14	29.5	1.5	4
13	SBSW13	SBSW13UU	24	-0.013	64	3	0	1.5		14	32	1.5	4
16	SBSW16	SBSW16UU	31	0	74	3.5	+0.018	2	0	18	37	1.5	6
20	SBSW20	SBSW20UU	35		84	4		2.5		20	42	2	8
25	SBSW25	SBSW25UU	42	-0.016	110	4	0	2.5	0	29	55	2	12
30	SBSW30	SBSW30UU	47		122	4	2.5	33		61	2.5	17	

Minor dia. do	Number of grooves	α	Basic rated radial load (kN)		Basic rated torque (N · m)		Static rated moment (N · m)	Weight (kg)		Dia. (h7)
			Dynamic Cr	Static Cor	Dynamic Ct	Static Cot	Mpo- I	Shaft/m	Sleeve	d
10	4	-	4.8	8.7	23	43	82	0.65	0.07	10.4
13			6.6	11.8	41	74	116	1.11	0.09	13.4
16	5	-	7.7	13.9	64	116	176	1.65	0.19	16.6
20			9.3	16.7	93	165	228	2.57	0.23	20.6
25			21.6	38.9	271	488	640	4.04	0.37	25.8
30			24.7	44.4	363	653	787	5.85	0.5	30.8

Code Name



- Note
- 1) Spline nut and shaft are supplied as a matched set.
  - 2) See page 170 for fitting dimensions between spline nut and housing box.
  - 3) See page 170 for detailed dimensions of keyway and key.