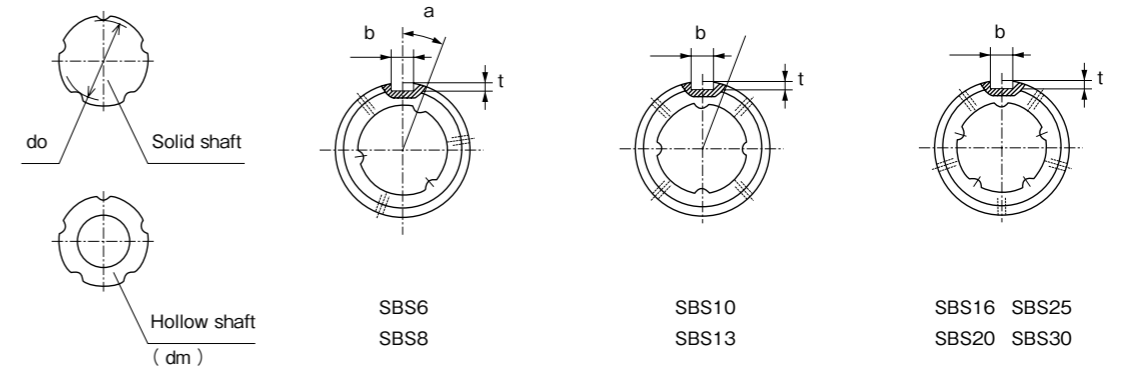
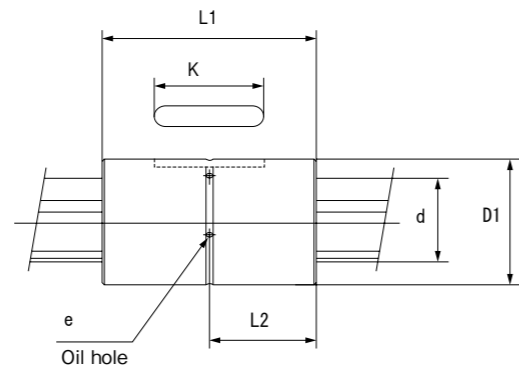
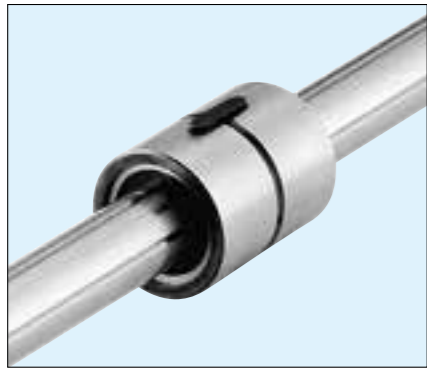


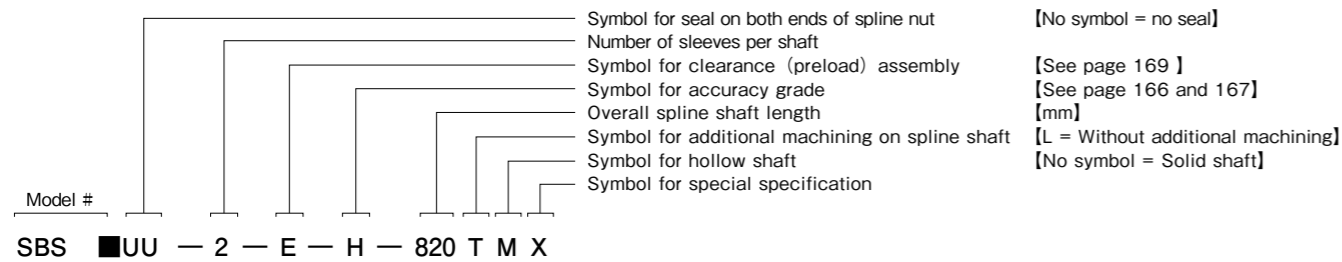
Standard type SBS Series



Shaft dia. (mm)	Model #		Outer dia.		Length L1	Dimensions of keyway					L2	Oil hole e	Bore dia. dm
	No seal	With seals	D1	(h6)		b	(H8)	t	(Tol.)	K			
6	SBS6	SBS6UU	14	0	25	2.5	+0.014	1.2	+0.050	10.5	12.5	1.5	2
8	SBS8	SBS8UU	16	-0.011	25	2.5		1.2		10.5	12.5	1.5	3
10	SBS10	SBS10UU	21	0	33	3	0	1.5	0	14	16.5	1.5	4
13	SBS13	SBS13UU	24	-0.013	36	3	1.5	14		18	1.5	4	
16	SBS16	SBS16UU	31	0	41	3.5	+0.018	2	0	18	20.8	1.5	6
20	SBS20	SBS20UU	35		46	4		2.5		20	23	2	8
25	SBS25	SBS25UU	42	-0.016	60	4	0	2.5	0	29	30	2	12
30	SBS30	SBS30UU	47		66	4	2.5	33		33	2.5	17	

Minor dia. do	Number of grooves	a	Basic rated radial load (kN)		Basic rated torque (N · m)		Static rated moment (N · m)		Weight (kg)		Dia. (h7) d
			Dynamic Cr	Static Cor	Dynamic Ct	Static Cot	Mpo- I	Mpo- II	Shaft / m	Sleeve	
5.6	3	15°	1.2	2.1	3.8	7	5	36	0.23	0.012	6
7.6		25°	1.2	2.1	4.8	8.7	5	36	0.39	0.013	8
10	4	-	2.4	4.3	11	21	15	102	0.65	0.04	10.4
13		-	3.3	5.9	20	37	22	148	1.11	0.05	13.4
16	5	-	3.8	6.9	32	58	32	216	1.65	1.12	16.6
20		-	4.6	8.3	46	84	42	276	2.57	0.14	20.9
25		-	10.8	19.4	135	244	113	773	4.04	0.23	25.8
30		-	12.3	22.2	181	327	136	937	5.85	0.29	30.8

Code Name



- Note
- 1) Spline nut and shaft are supplied as a matched set.
 - 2) See page 170 for fitting dimensions between spline nut and housing box.
 - 3) See page 170 for detailed dimensions of keyway and key.