

Relay and sensor–Unit type BRR/Pass-through type



BRR21N

- Instantaneous trip
- Solid-state tripping device
- Sensitive current: 30, 100, 200mA 500mA
- Control voltage: Up to 415V AC

Relay and sensor–Separate type RRD/Pass-through type



RRD60P0 ZCT



RRD relay unit

- Time-delay trip
- Solid-state tripping device
- Sensitive current: 100/200, 200/500mA, 500/1000mA
- Control voltage: Up to 415V AC

EL/Pass-through type



EL90P0 ZCT

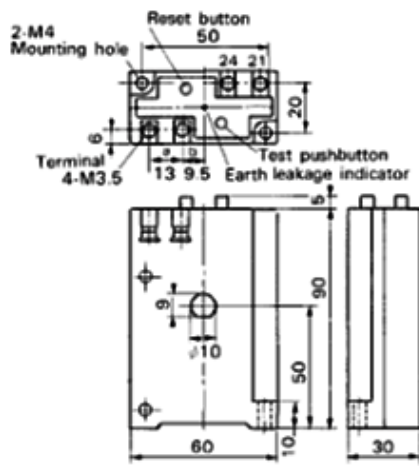


EL relay unit

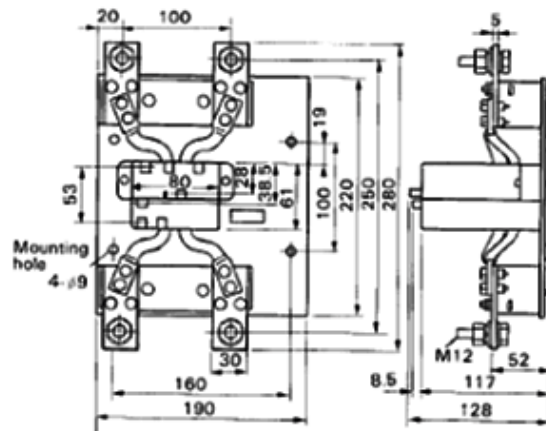
- Instantaneous or time-delay trip
- Solid-state tripping device
- Sensitive current: 30, 100/200, 200/500mA, 500/1000mA
- Control voltage: Up to 415V AC
- Easily modified from front mounting to flush mounting
-

Earth leakage protective relays BRR type

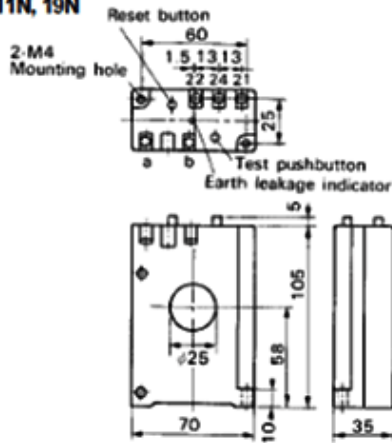
BRR01N, 09N



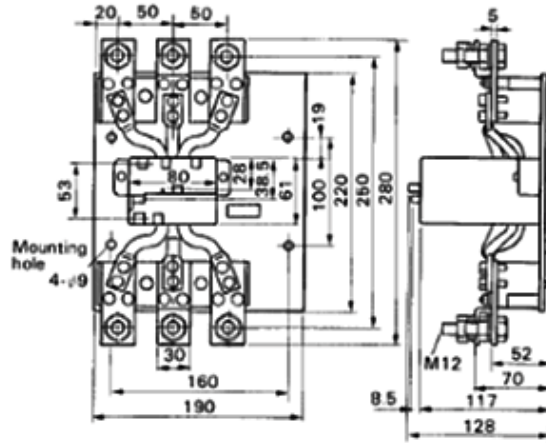
BRR42H, 45H
2-pole



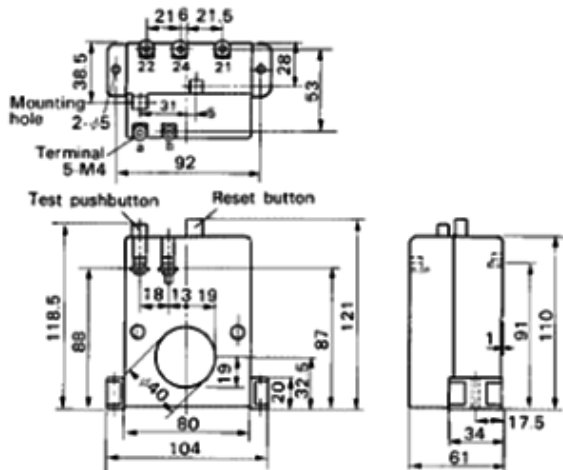
BRR11N, 19N



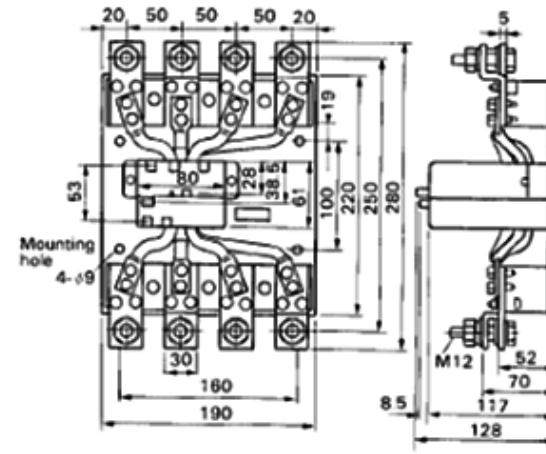
3-pole



BRR21N, 29N, 22N, 23N, 25N

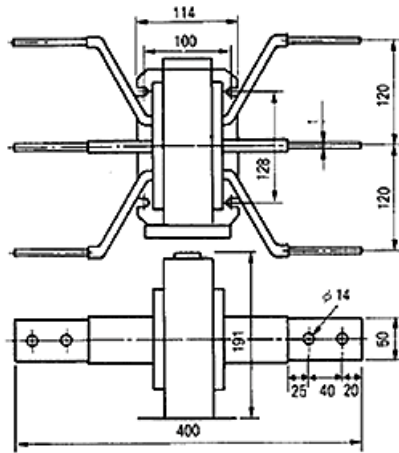


4-pole



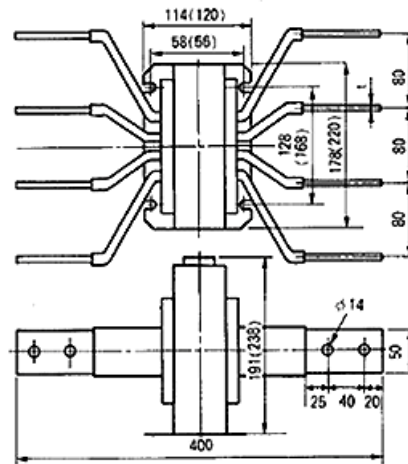
Earth leakage protective relays RRD type

RRD6AZ3, 8AZ3, 10AZ3



t RRD6AZ3: 6
 RRD8AZ3: 8
 RRD10AZ3: 12

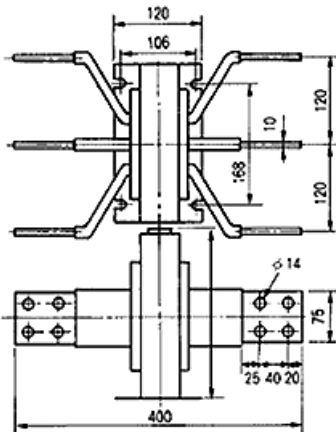
RRD6AZ4, 8AZ4, 10AZ4



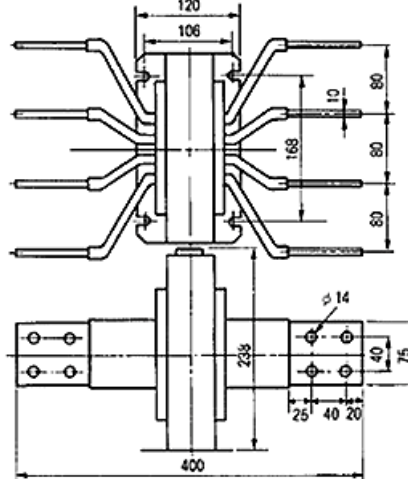
t RRD6AZ4: 6
 RRD8AZ4: 8
 RRD10AZ4: 12

() : For RRD10AZ4

RRD12AZ3

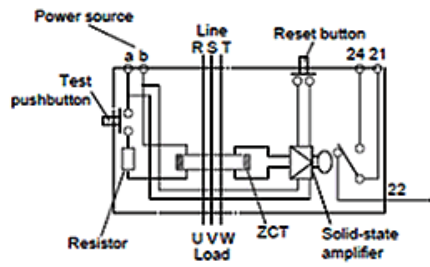


RRD12AZ4

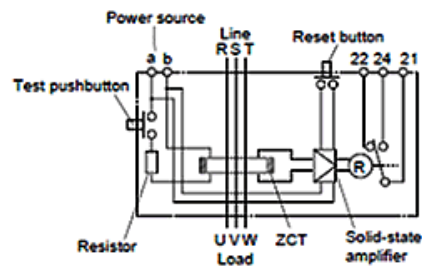


Earth leakage protective relays BRR, EL, RRD series

■ Wiring diagrams BRR01N, 09N

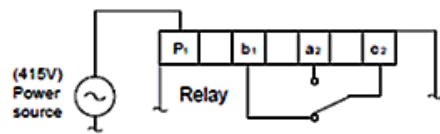


BRR11N, 19N, 21N, 29N, 22N, 23N, 25N BRR42H, 45H

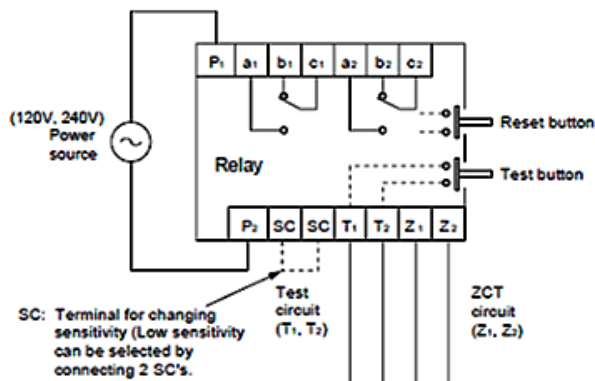


RRD type

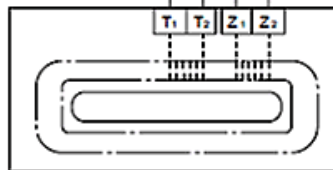
● Where SPDT is selected.



● Where 2PDT is selected.

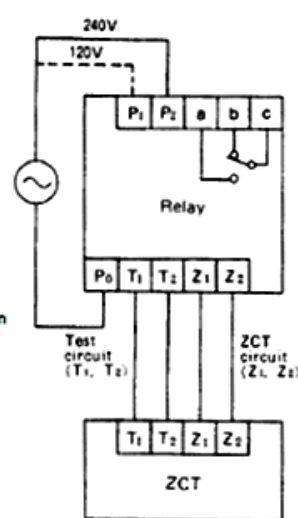


Sensor

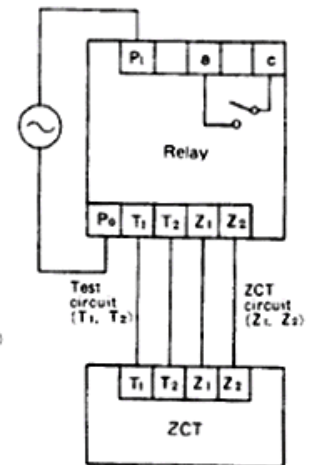


EL type

100/200V, 120/240V



415V



Type number nomenclature

■ Type number nomenclature, BRR unit type

BRR 2 1 N-0 24 S

Protection

S : Without enclosure (standard)

Control voltage (AC)

1 : 100/110V 12 : 120V

2 : 200/220V 2 : 240V

4 : 415V

Poles

N-0 : Pass-through type

H-2 : 2-pole with conductor and terminal assembly

H-3 : 3-pole with conductor and terminal assembly

H-4 : 4-pole with conductor and terminal assembly

Sensitive current

1 : 30mA

9 : 100mA

2 : 200mA

5 : 500mA

Rated current

0 : Pass-through type ø10

1 : Pass-through type ø25

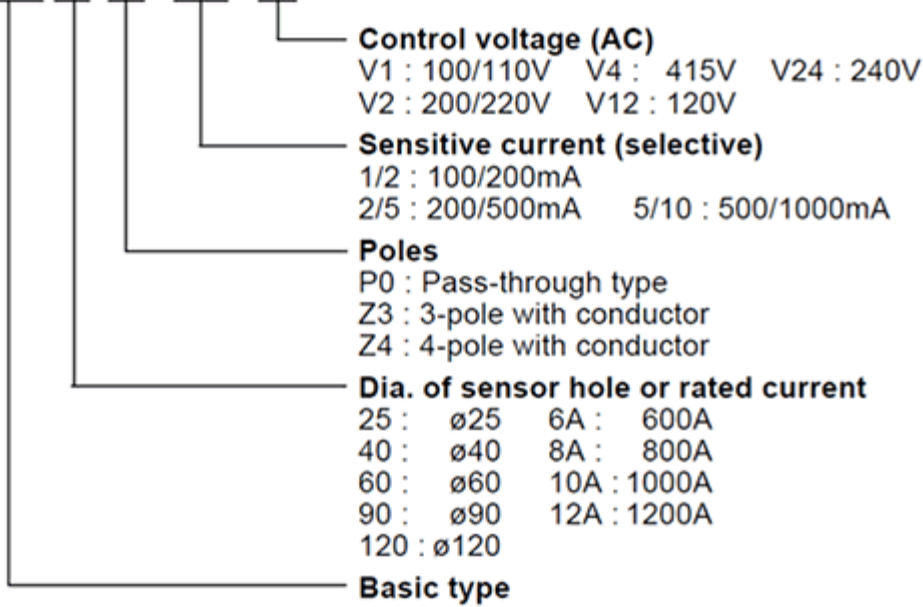
2 : Pass-through type ø40

4 : 400A

Basic type

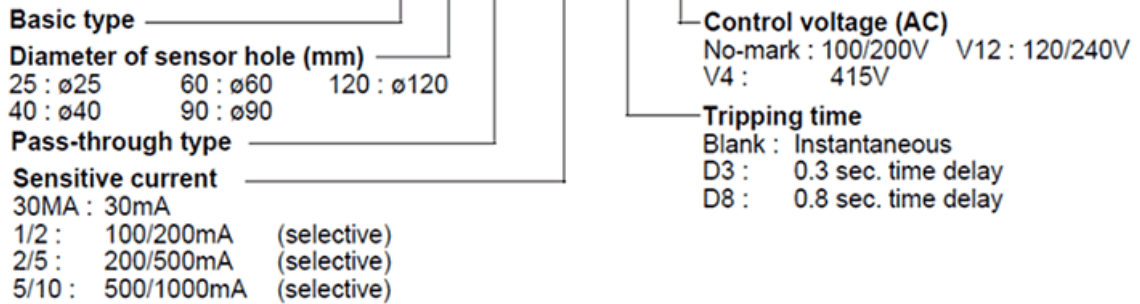
● Type number nomenclature, RRD type

RRD 40 P0 - 2/5 -V2



● Type number nomenclature, ELtype

EL 25 P0 - 1/2 - D3-V4



● Type number nomenclature, EL type, UL 1053 recognized

EL 25 P0 - 30MA - AD24 - 00415 UL

