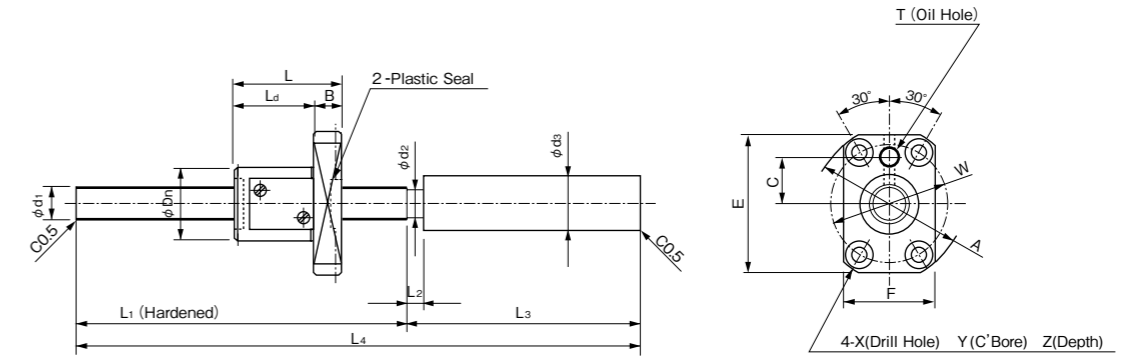
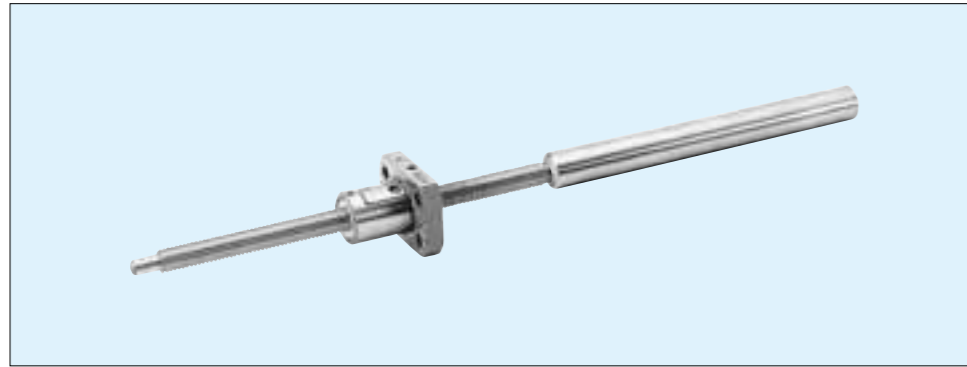


Miniature Precision Ground Ball Screws (Unfinished Shaft Ends) RGPT Series



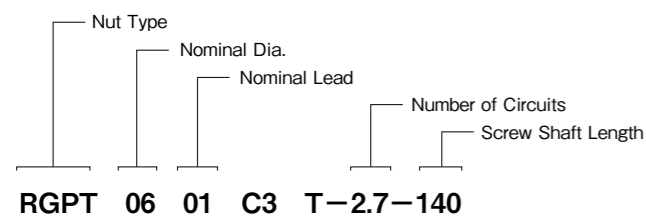
Unit : mm

Identification number	Nominal Dia. d1	Nominal Lead	Stroke	Shaft Dimensions								
				L ₁	L ₂	L ₃	L ₄	d ₂	d ₃	D _n	A	L
RGPT0401C3T-2.7	4	1	-100	60	4	40	100	4	10	11	21	19
			-150	80			150					
RGPT0601C3T-2.7-190	6	1	-140	90	3	50	140	5.2	10	13	29	20
			-190	100			190					
			-240	150			240					
RGPT0602C3T-2.7-200	6	2	-150	100	3	50	150	4.5	10	18	34	24
			-200	100			200					
			-250	150			250					
RGPT0801C3T-2.7-220	8	1	-150	90	3	60	150	7.2	10	16	32	20
			-220	120			220					
			-300	200			300					
RGPT0802C3T-2.7-230	8	2	-160	100	3	60	160	6.5	10	20	40	25
			-230	120			230					
			-310	200			310					
RGPT0805C3T-2.7-240	8	5	-180	120	5	60	180	6.1	10	24	44	37
			-240	120			240					
			-300	180			300					

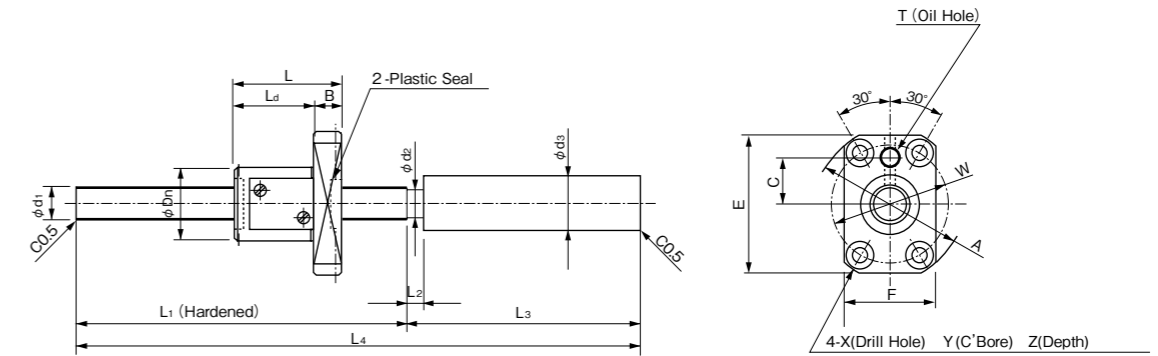
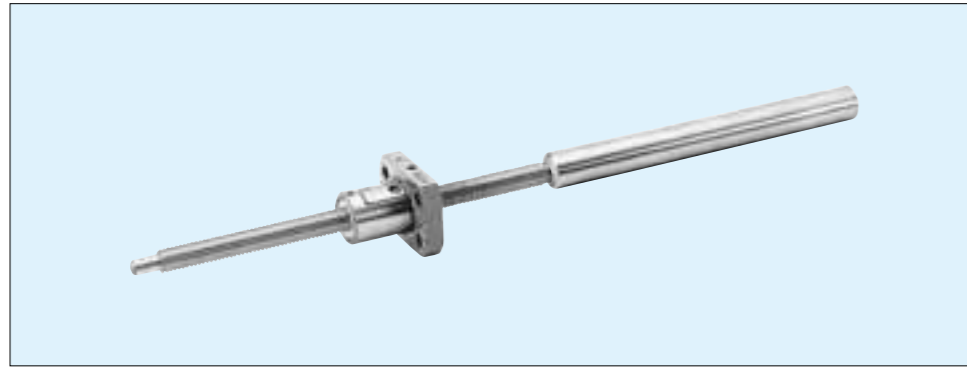
Nut Dimensions											Root Dia.	Ball Circle Diameter	Number of Circuits	Basic Load Rating (N)	
L _d	B	E	F	W	C	T	X	Y	Z	C				C ₀	
15	4	-	14	16	-	-	2.9	-	-	3.15	4.15	2.7	470	780	
15	5	26	19	21	-	-	3.4	6.5	3	5.3	6.15	2.7	630	1130	
19	5	31	22	26	-	-	3.4	6.5	3	4.6	6.3	2.7	1350	2350	
15	5	29	21	24	-	-	3.4	6.5	3	7.3	8.15	2.7	750	1520	
19	6	36	25	30	-	-	4.5	8	4.4	6.6	8.3	2.7	1690	3085	
29	8	40	27	34	-	-	4.5	8	4.4	6.2	8.3	2.5	2290	3575	

No wiper seal is provided for RGPT0401.

Code Name



Miniature Precision Ground Ball Screws (Unfinished Shaft Ends) RGPT Series

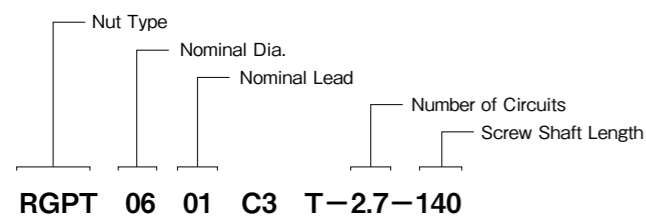


Identification Number	Nominal Dia. d_1	Nominal Lead	Stroke	Shaft Dimensions								
				L_1	L_2	L_3	L_4	d_2	d_3	d_n	A	L
RGPT0808C3T-1.5-260	8	8	60	130	8	70	200	6.1	10	24	44	36
			120	190			260					
			180	250			320					
RGPT1002C3T-2.7-320	10	2	100	140	5	80	220	8.5	14	23	43	29
			200	240			320					
			300	340			420					
RGPT1004C3T-2.5-380	10	4	100	150	5	80	230	8.1	14	26	46	34
			250	330			380					
			400	450			530					
RGPT1005C3T-2.5-390	10	5	100	160	5	80	240	8.1	14	26	46	40
			250	310			390					
			400	460			540					
RGPT1010C3T-1.5-440	10	10	100	160	7	80	240	8.1	14	26	46	40
			300	360			440					
			500	560			640					

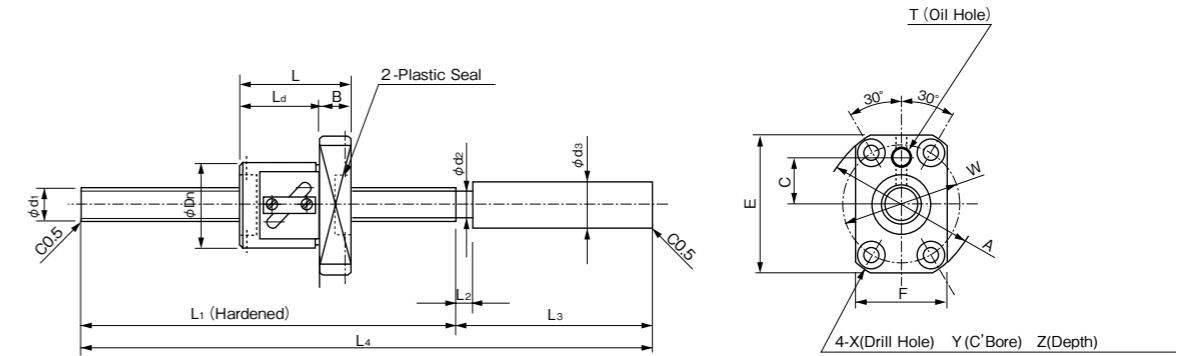
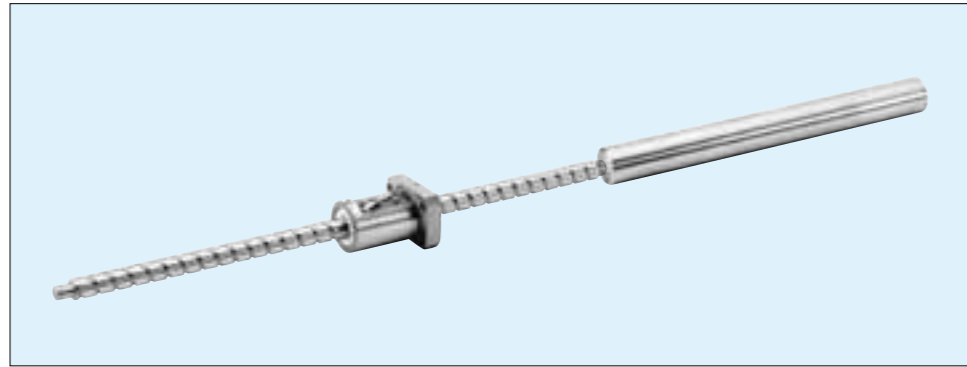
Unit : mm

Nut Dimensions										Root Dia.	Ball Circle Diameter	Number of Circuits	Basic Load Rating (N)	
L_d	B	E	F	W	C	T	X	Y	Z				C	C_o
28	8	40	27	34	-	-	4.5	8	4.4	6.2	8.3	1.5	1450	2155
19	10	39	27	33	12	M6	4.5	8	4.4	8.6	10.3	2.7	1980	3820
24	10	42	28	36	14	M6	4.5	8	4.4	8.2	10.3	2.5	2730	4410
30	10	42	28	36	14	M6	4.5	8	4.4	8.2	10.3	2.5	2730	4410
30	10	42	28	36	14	M6	4.5	8	4.4	8.2	10.3	1.5	1720	2745

● Code Name



Miniature Precision Ground Ball Screws (Unfinished Shaft Ends) RGPT Series

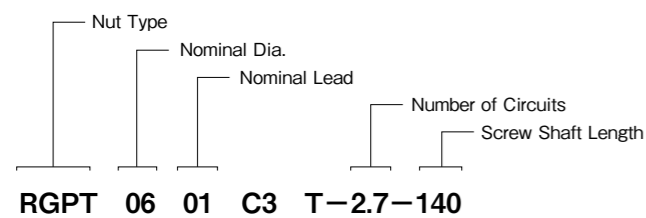


Unit : mm

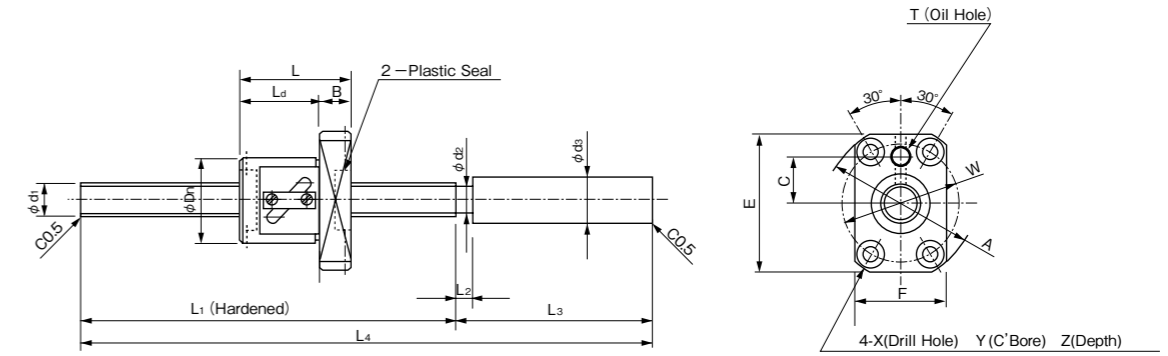
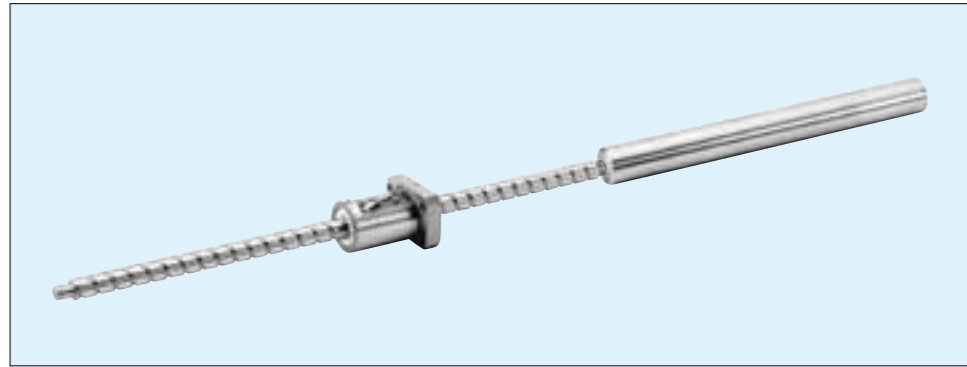
Identification Number	Nominal Dia. d1	Nominal Lead	Stroke	Shaft Dimensions								
				L ₁	L ₂	L ₃	L ₄	d ₂	d ₃	d _n	A	L
RGPT1202C3T-2.7-370	12	2	100	140	5	80	220	10.5	14	25	45	29
			250	290			370					
			400	440			520					
RGPT1204C3T-2.5-390	12	4	100	160	5	80	240	9.7	14	30	50	36
			250	310			390					
			400	460			540					
RGPT1205C3T-2.5-440	12	5	100	160	5	80	240	9.7	14	30	50	40
			300	360			440					
			500	560			640					
RGPT1210C3T-2.5-460	12	10	100	180	7	80	260	9.9	14	30	50	50
			300	380			460					
			500	580			660					
RGPT1220C3T-1.5-570	12	20	200	290	10	80	370	9.9	14	30	50	62
			400	490			570					
			600	690			770					
RGPT1402C3T-2.7-480	14	2	200	250	5	80	330	12	15	26	49	30
			350	400			480					
			500	550			630					

Nut Dimensions											Root Dia.	Ball Circle Diameter	Number of Circuits	Basic Load Rating (N)	
L ₁	B	E	F	W	C	T	X	Y	Z	C				C ₀	
19	10	41	28	35	13	M6	4.5	8	4.4	10.6	12.3	2.7	2240	4555	
26	10	45	32	40	15	M6	4.5	8	4.4	9.8	12.3	2.5	3770	6320	
30	10	45	32	40	15	M6	4.5	8	4.4	9.8	12.3	2.5	3770	6320	
40	10	45	32	40	15	M6	4.5	8	4.4	10	12.5	2.5	3820	6480	
50	12	45	32	40	15	M6	4.5	8	4.4	10	12.5	1.5	2410	3920	
19	11	44	30	37	14	M6	5.5	9.5	5.4	12.6	14.3	2.7	2470	5290	

● Code Name



Miniature Precision Ground Ball Screws (Unfinished Shaft Ends) RGPT Series

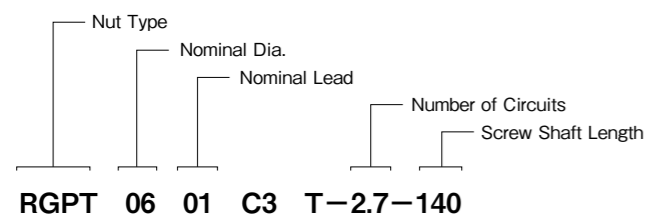


Unit : mm

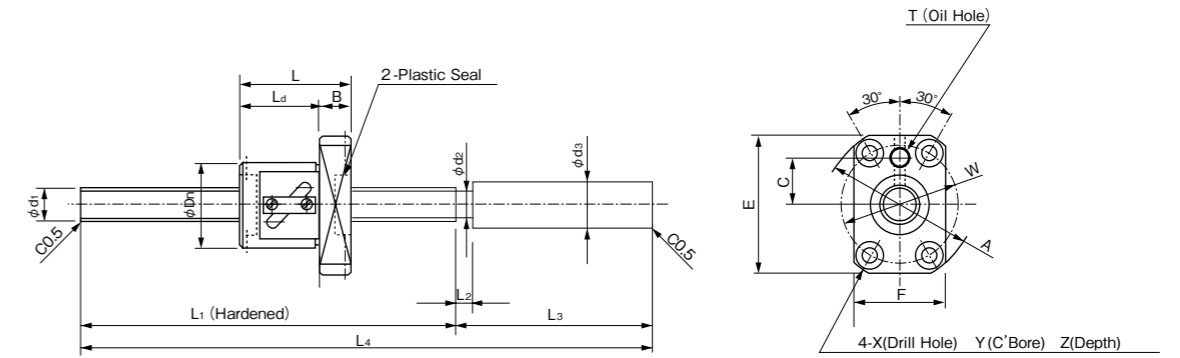
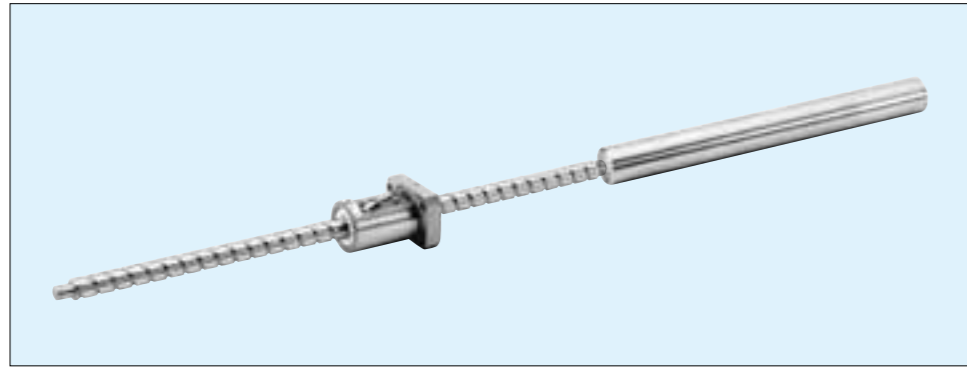
Identification Number	Nominal Dia. d1	Nominal Lead	Stroke	Shaft Dimensions									
				L ₁	L ₂	L ₃	L ₄	d ₂	d ₃	Dn	A	L	
RGPT1405C3T-2.5	-360	14	5	200	260	5	100	360	11.1	15	34	57	41
	-510			350	410			510					
	-660			500	560			660					
RGPT1504C3T-2.5	-500	15	4	300	370	5	130	500	12.6	15	32	56	37
	-800			600	670			800					
	-1200			1000	1070			1200					
RGPT1505C3T-2.5	-510	15	5	300	380	5	130	510	12	15	34	57	41
	-810			600	680			810					
	-1210			1000	1080			1210					
RGPT1510C3T-2.5	-520	15	10	300	390	5	130	520	12	15	34	57	51
	-820			600	690			820					
	-1220			1000	1090			1220					
RGPT1515C3T-2.5	-540	15	15	300	410	5	130	540	12	15	34	57	54
	-840			600	710			840					
	-1240			1000	1110			1240					

Nut Dimensions										Root Dia.	Ball Circle Diameter	Number of Circuits	Basic Load Rating (N)	
L _d	B	E	F	W	C	T	X	Y	Z				C	Co
30	11	50	34	45	17	M6	5.5	9.5	5.4	11.2	14.5	2.5	6270	11660
27	10	48	32	43	16	M6	5.5	9.5	5.4	12.8	15.3	2.5	4430	7840
30	11	50	34	45	17	M6	5.5	9.5	5.4	12.2	15.5	2.5	6610	12545
40	11	50	34	45	17	M6	5.5	9.5	5.4	12.2	15.5	2.5	6610	12545
42	12	50	34	45	17	M6	5.5	9.5	5.4	12.4	15.75	1.5	4230	7840

Code Name



Miniature Precision Ground Ball Screws (Unfinished Shaft Ends) RGPT Series



Unit : mm

Identification Number	Nominal Dia. d1	Nominal Lead	Stroke	Shaft Dimensions									
				L ₁	L ₂	L ₃	L ₄	d ₂	d ₃	Dn	A	L	
RGPT1520C3T-1.5	-550	15	20	300	420	5	130	550	12	15	34	57	62
	-850			600	720			850					
	-1250			1000	1120			1250					
RGPT1602C3T-2.7	-380	16	2	200	250	5	130	380	12	16	30	53	30
	-530			350	400			530					
	-680			500	550			680					
RGPT2005C3T-2.5	-630	20	5	400	480	5	150	630	17	20	44	67	41
	-1030			800	880			1030					
	-1430			1200	1280			1430					
RGPT2010C3T-2.5	-650	20	10	400	500	10	150	650	17	20	46	74	54
	-1050			800	900			1050					
	-1450			1200	1300			1450					
RGPT2020C3T-1.5	-700	20	20	400	550	10	150	700	16.5	20	46	74	70
	-1100			800	950			1100					
	-1500			1200	1350			1500					

Nut Dimensions											Root Dia.	Ball Circle Diameter	Number of Circuits	Basic Load Rating (N)	
L ₁	B	E	F	W	C	T	X	Y	Z	C				Co	
50	12	50	34	45	17	M6	5.5	9.5	5.4	12.4	15.75	1.5	4230	7840	
19	11	48	32	41	16	M6	5.5	9.5	5.4	14.6	16.3	2.7	2690	6030	
30	11	60	44	55	22	M6	5.5	9.5	5.4	17.2	20.5	2.5	8150	17150	
41	13	66	46	59	22	M6	6.6	11	6.5	16.8	21	2.5	8150	17150	
55	15	66	46	59	24	M6	6.6	11	6.5	16.8	21	1.5	6710	12640	

Code Name

