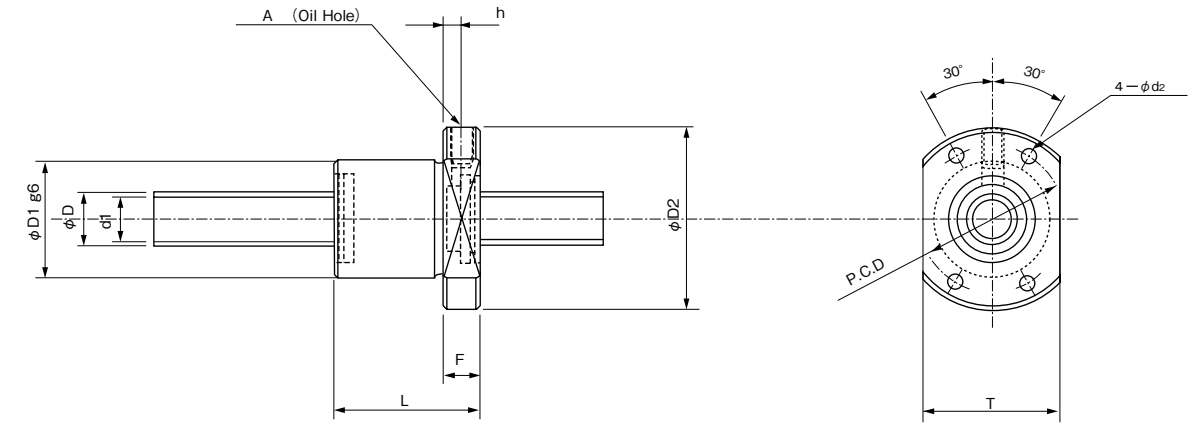
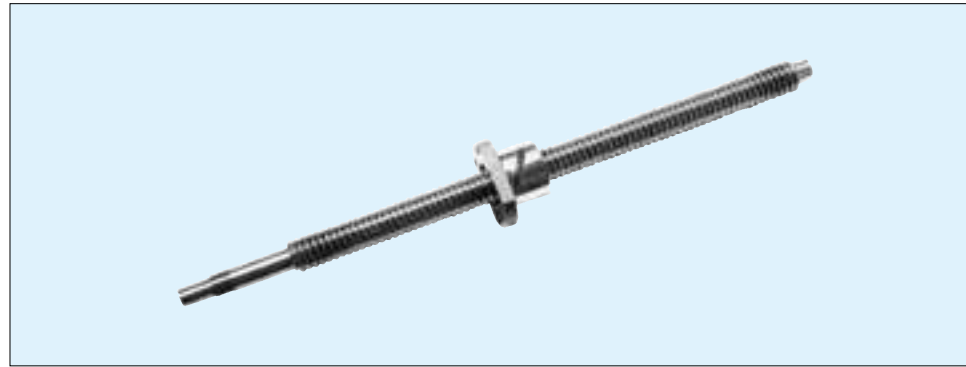
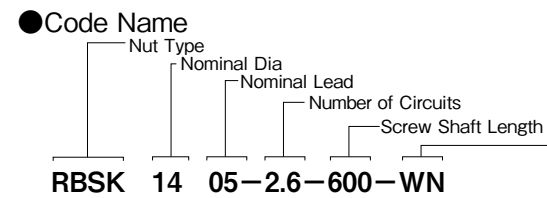


Compact Rolled Ball Screws RBSK Series



Identification Number	Shaft		Lead $l$	Circuit Direction	Ball Diameter	Number of Circuits	Axial Play
	Diameter D	Root Diameter $d_1$					
RBSK1404-3.6	14	11.5	4	Right	2.778	3.6	0.10
RBSK1405-2.6	14	11.2	5	Right	3.175	2.6	0.10
RBSK1605-2.6	16	13.4	5	Right	3.175	2.6	0.10
RBSK1808-3.6	18	14.4	8	Right	4.763	3.6	0.10
RBSK2005-2.6	20	17.2	5	Right	3.175	2.6	0.10
RBSK2010-2.6	20	16.6	10	Right	4.763	2.6	0.15
RBSK2505-2.6	25	22.2	5	Right	3.175	2.6	0.10
RBSK2510-5.3	25	20.2	10	Right	6.350	5.3	0.20
RBSK2806-2.6	28	25.7	6	Right	3.175	2.6	0.10
RBSK2806-5.3	28	25.7	6	Right	3.175	5.3	0.10
RBSK3210-2.6	32	27.1	10	Right	6.350	2.6	0.20
RBSK3210-5.3	32	27.1	10	Right	6.350	5.3	0.20
RBSK3610-2.6	36	30.5	10	Right	6.350	2.6	0.17
RBSK3610-5.3	36	30.5	10	Right	6.350	5.3	0.17

Nut Dimensions									Basic Load Rating (N)		Standard Shaft Length
Diameter D1	Length L	Flange D2	F	P.C.D	$d_2$	T	h	Oil Hole A	Dynamic C	Static $C_0$	
31	40	50	10	40	4.5	37	5	M6×1	5480	11466	500 1000
32	40	50	10	40	4.5	38	5	M6×1	4990	11270	
34	40	54	10	44	4.5	40	5	M6×1	5390	13230	1000 1500
50	61	80	12	65	6.6	60	5	M6×1	13030	30960	
40	40	60	10	50	4.5	46	5	M6×1	5970	16170	1000 1500 2000
52	61	82	12	67	6.6	64	5	M6×1	10580	24990	
43	40	67	10	55	5.5	50	5	M6×1	6660	20580	
60	98	96	15	78	9.0	72	5	M6×1	31160	83300	
50	47	80	12	65	6.6	60	6	M6×1	6950	23030	
50	65	80	12	65	6.6	60	6	M6×1	12740	46550	
67	68	103	15	85	9.0	78	5	M6×1	19690	53410	
67	98	103	15	85	9.0	78	5	M6×1	35960	107310	
70	70	110	17	90	11.0	82	7	M6×1	20770	59780	
70	100	110	17	90	11.0	82	7	M6×1	37730	118580	



Blank	Standard Type
WN	Without Wiper Seal