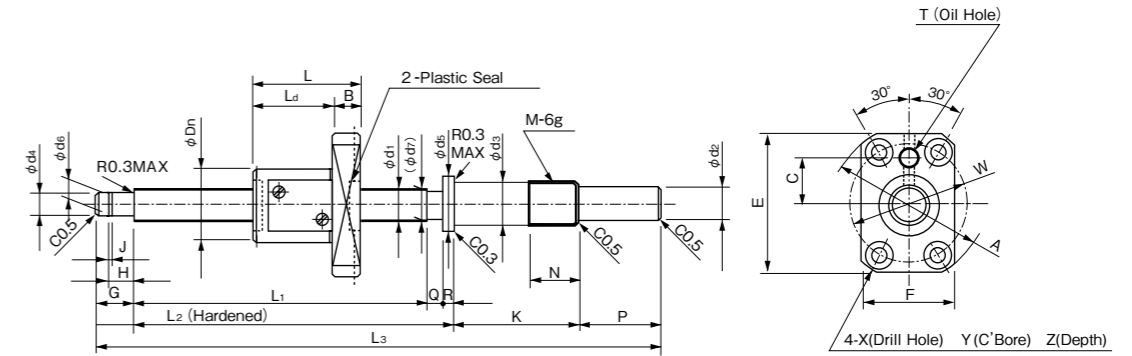
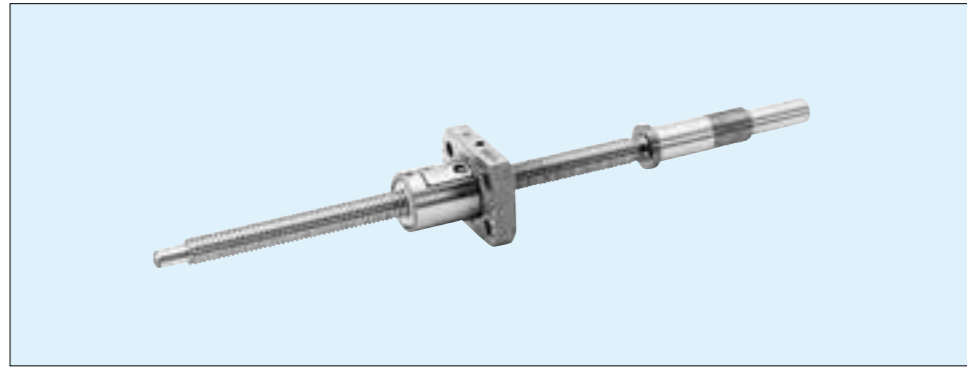


Miniature Precision Ground Ball Screws (Finished Shaft Ends) PBST Series

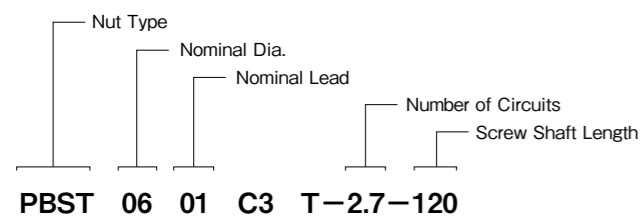


Identification Number	Nominal Dia. d1	Nominal Lead	Stroke	Shaft Dimensions													
				L ₁	L ₂	L ₃	G	H	J	K	N	P	Q	R	d ₂	d ₃	d ₄
PBST0601C3T-2.7-150	6	1	40	70	75	120	7	4.5	0.5	23	9	15	3	2	6	8	4
			70	100	105	150											
			100	130	135	180											
PBST0602C3T-2.7-154	6	2	40	74	79	124	7	4.5	0.5	23	9	15	3	2	6	8	4
			70	104	109	154											
			100	134	139	184											
PBST0801C3T-2.7-152	8	1	40	70	75	122	9	6.8	0.8	23	9	15	3	2	6	8	6
			70	100	105	152											
			100	130	135	182											
PBST0802C3T-2.7-177	8	2	50	85	90	137	9	6.8	0.8	23	9	15	3	2	6	8	6
			90	125	130	177											
			120	155	160	207											
PBST1002C3T-2.7-209	10	2	60	99	114	169	10	7.9	0.9	30	10	15	5	10	8	10	8
			100	139	154	209											
			150	189	204	259											

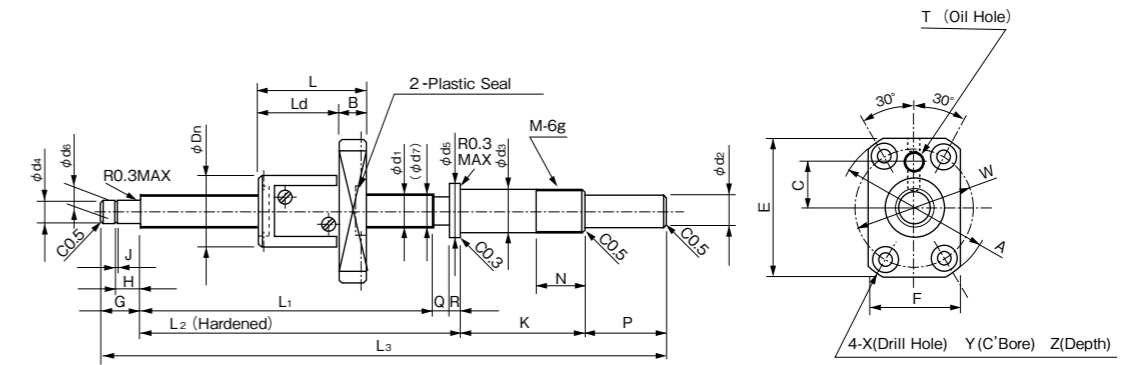
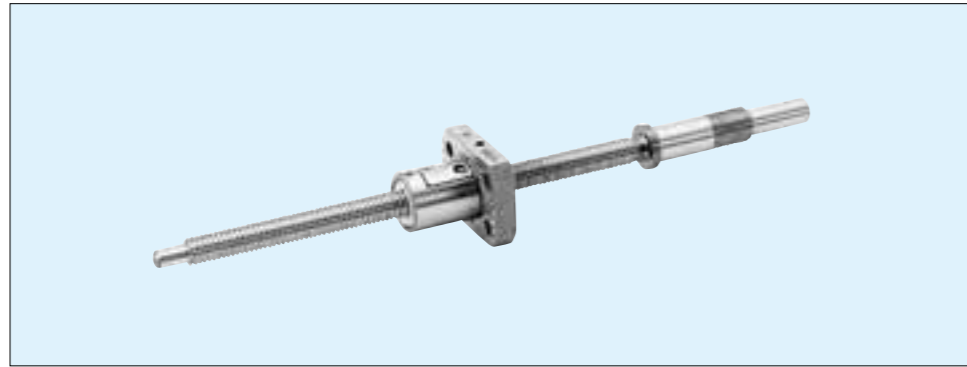
Unit : mm

					Nut Dimensions													Basic Load Rating (N)	
d ₅	d ₆	d ₇	S	M	Dn	A	L	L _d	B	E	F	W	C	T	X	Y	Z	C	Co
10	3.8	5.2	-	M 8×0.75	13	29	20	15	5	26	19	21	-	-	3.4	6.5	3	630	1130
10	3.8	4.5	-	M 8×0.75	18	34	24	19	5	31	22	26	-	-	3.4	6.5	3	1350	2350
10	5.7	7.2	-	M 8×0.75	16	32	20	15	5	29	21	24	-	-	3.4	6.5	3	750	1520
10	5.7	6.5	-	M 8×0.75	20	40	25	19	6	36	25	30	-	-	4.5	8	4.4	1690	3085
14	7.6	8.5	12	M10×0.75	23	43	29	19	10	39	27	33	12	M6	4.5	8	4.4	1980	3820

Code Name



Miniature Precision Ground Ball Screws (Finished Shaft Ends) PBST Series

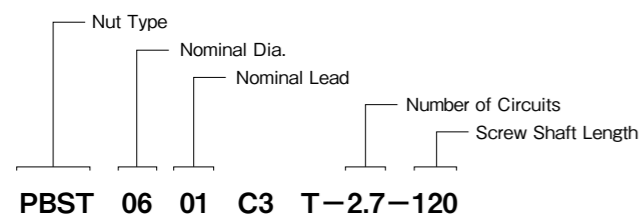


Unit : mm

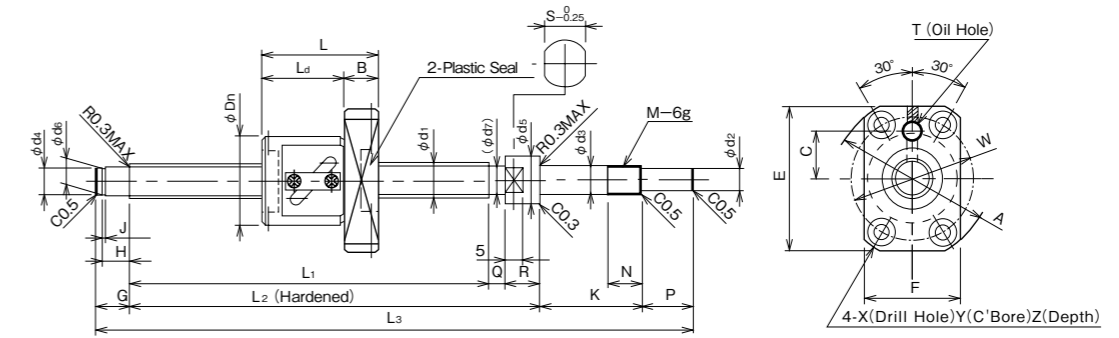
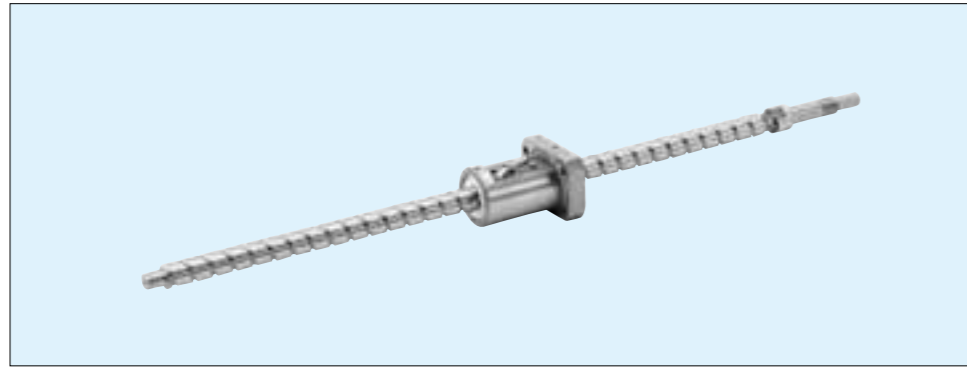
Identification Number	Nominal Dia. d1	Nominal Lead	Stroke	Shaft Dimensions													
				L ₁	L ₂	L ₃	G	H	J	K	N	P	Q	R	d ₂	d ₃	d ₄
PBST1004C3T-2.5-230	10	4	60	120	135	190	10	7.9	0.9	30	10	15	5	10	8	10	8
			100	160	175	230											
			150	210	225	280											
PBST1005C3T-2.5-230	10	5	60	120	135	190	10	7.9	0.9	30	10	15	5	10	8	10	8
			100	160	175	230											
			150	210	225	280											
PBST1010C3T-1.5	10	10	100	170	187	242	10	7.9	0.9	30	10	15	7	10	8	10	8
			150	220	237	292											
			200	270	287	342											
			250	320	337	392											
PBST1202C3T-2.7-239	12	2	70	109	124	179	10	7.9	0.9	30	10	15	5	10	8	10	8
			130	169	184	239											
			180	219	234	289											

					Nut Dimensions													Basic Load Rating (N)	
d ₅	d ₆	d ₇	S	M	Dn	A	L	L _d	B	E	F	W	C	T	X	Y	Z	C	Co
14	7.6	8.1	12	M10×0.75	26	46	34	24	10	42	28	36	14	M6	4.5	8	4.4	2730	4410
14	7.6	8.1	12	M10×0.75	26	46	40	30	10	42	28	36	14	M6	4.5	8	4.4	2730	4410
14	7.6	8.1	12	M10×0.75	26	46	40	30	10	42	28	36	14	M6	4.5	8	4.4	1720	2745
14	7.6	10.5	12	M10×0.75	25	45	29	19	10	41	28	35	13	M6	4.5	8	4.4	2240	4555

Code Name



Miniature Precision Ground Ball Screws (Finished Shaft Ends) PBST Series

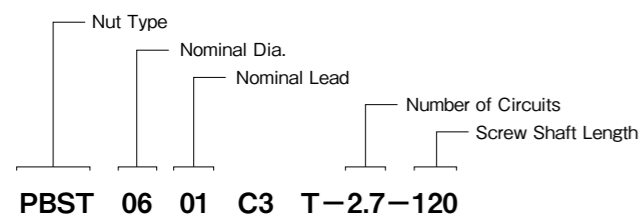


Identification Number	Nominal Dia. d1	Nominal Lead	Stroke	Shaft Dimensions													
				L ₁	L ₂	L ₃	G	H	J	K	N	P	Q	R	d ₂	d ₃	d ₄
PBST1204C3T-2.5-276	12	4	100	156	171	226	10	7.9	0.9	30	10	15	5	10	8	10	8
			150	206	221	276											
			200	256	271	326											
PBST1205C3T-2.5	12	5	100	160	175	230	10	7.9	0.9	30	10	15	5	10	8	10	8
			150	210	225	280											
			200	260	275	330											
			250	310	325	380											
PBST1210C3T-2.5	12	10	150	230	247	302	10	7.9	0.9	30	10	15	7	10	8	10	8
			200	280	297	352											
			250	330	347	402											
			300	380	397	452											
PBST1220C3T-1.5	12	20	200	302	322	377	10	7.9	0.9	30	10	15	10	10	8	10	8
			250	352	372	427											
			300	402	422	477											
			350	452	472	527											
PBST1402C3T-2.7-272	14	2	100	140	155	222	22	9.15	1.15	30	10	15	5	10	10	12	10
			150	190	205	272											
			200	240	255	322											

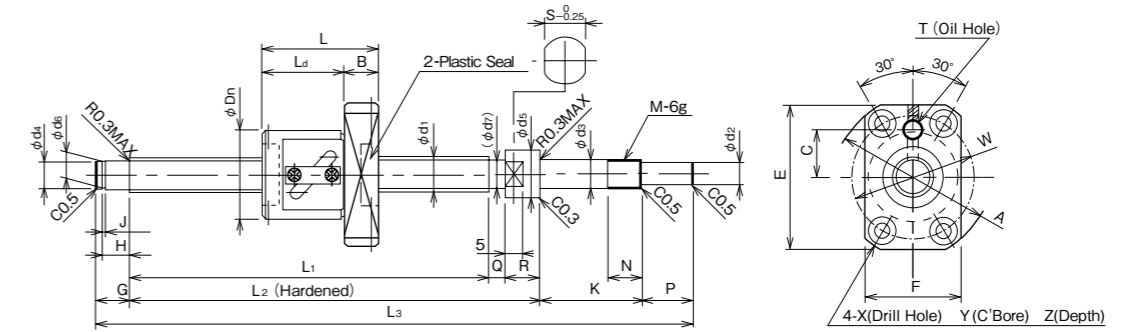
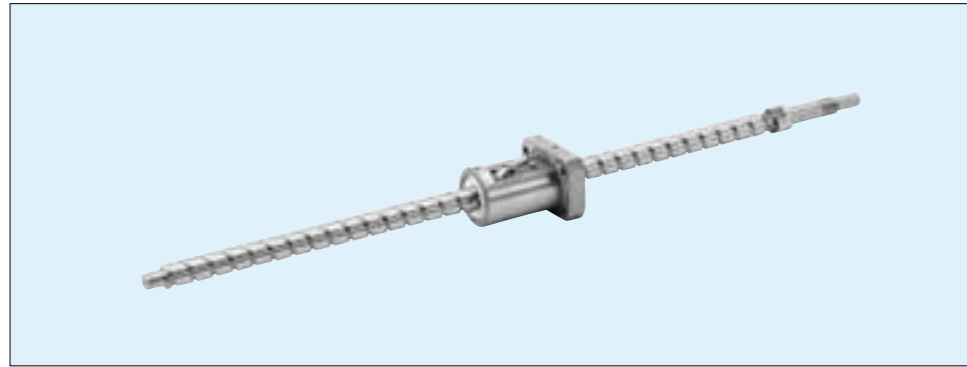
Unit : mm

Nut Dimensions																Basic Load Rating (N)			
d ₅	d ₆	d ₇	S	M	Dn	A	L	L _d	B	E	F	W	C	T	X	Y	Z	C	Co
14	7.6	9.7	12	M10×0.75	30	50	36	26	10	45	32	40	15	M6	4.5	8	4.4	3770	6320
14	7.6	9.7	12	M10×0.75	30	50	40	30	10	45	32	40	15	M6	4.5	8	4.4	3770	6320
14	7.6	9.9	12	M10×0.75	30	50	50	40	10	45	32	40	15	M6	4.5	8	4.4	3820	6480
14	7.6	9.9	12	M10×0.75	30	50	62	50	12	45	32	40	15	M6	4.5	8	4.4	2410	3920
15	9.6	12	12	M12×1.0	26	49	30	19	11	44	30	37	14	M6	5.5	9.5	5.4	2470	5290

Code Name



Miniature Precision Ground Ball Screws (Finished Shaft Ends) PBST Series

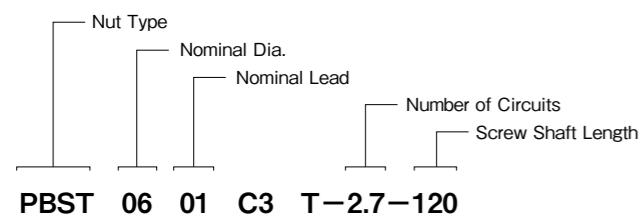


Identification Number	Nominal Dia. d1	Nominal Lead	Stroke	Shaft Dimensions													
				L ₁	L ₂	L ₃	G	H	J	K	N	P	Q	R	d ₂	d ₃	d ₄
PBST1404C3T-2.5-337-387	14	4	150	205	220	287	22	9.15	1.15	30	10	15	5	10	10	12	10
			200	255	270	337											
			250	305	320	387											
PBST1405C3T-2.5-393-443	14	5	150	211	226	293	22	9.15	1.15	30	10	15	5	10	10	12	10
			200	261	276	343											
			250	311	326	393											
			300	361	376	443											
PBST1510C3T-2.5-571-671	15	10	200	289	304	371	22	9.15	1.15	30	10	15	5	10	10	12	10
			300	389	404	471											
			400	489	504	571											
			500	589	604	671											
PBST1520C3T-1.5-584-784	15	20	300	402	417	484	22	9.15	1.15	30	10	15	5	10	10	12	10
			400	502	517	584											
			500	602	617	684											
			600	702	717	784											
PBST1604C3T-2.5-439-539	16	4	200	257	272	339	22	9.15	1.15	30	10	15	5	10	10	12	10
			300	357	372	439											
			400	457	472	539											

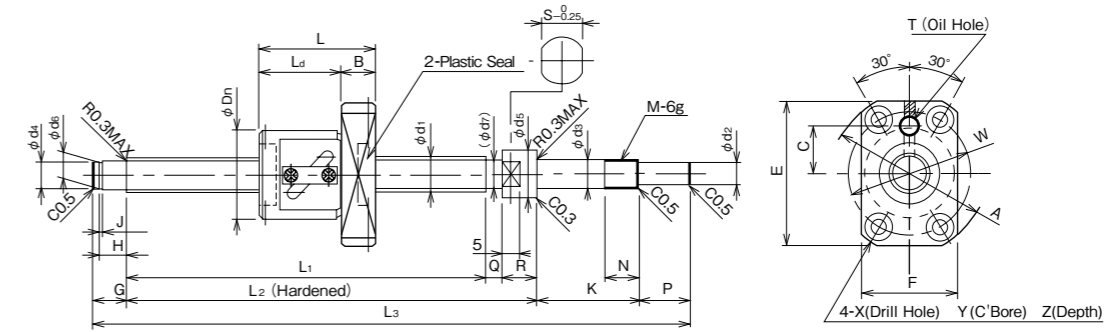
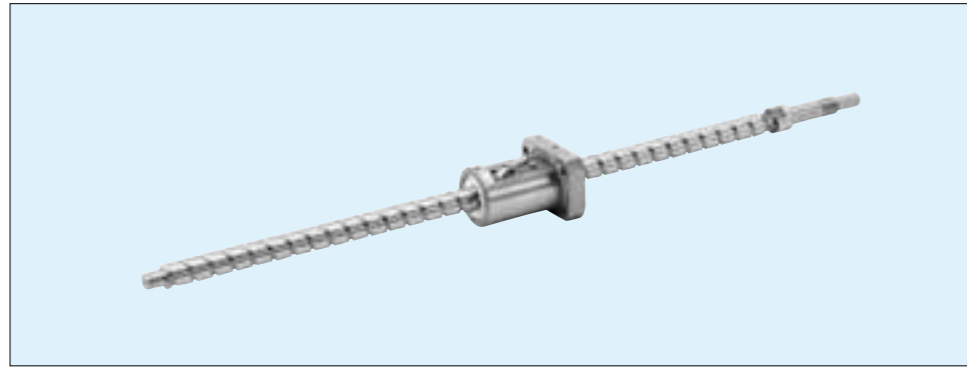
Unit : mm

																Nut Dimensions							Basic Load Rating (N)	
d ₅	d ₆	d ₇	S	M	Dn	A	L	L _d	B	E	F	W	C	T	X	Y	Z	C	Co					
15	9.6	11.7	12	M12×1.0	34	57	37	26	11	50	34	45	17	M6	5.5	9.5	5.4	4220	7150					
15	9.6	11.1	12	M12×1.0	34	57	41	30	11	50	34	45	17	M6	5.5	9.5	5.4	6270	11660					
15	9.6	12	12	M12×1.0	34	57	51	40	11	50	34	45	17	M6	5.5	9.5	5.4	6610	12540					
15	9.6	12	12	M12×1.0	34	57	62	50	12	50	34	45	17	M6	5.5	9.5	5.4	4230	7840					
15	9.6	12	12	M12×1.0	36	59	37	26	11	53	36	47	18	M6	5.5	9.5	5.4	4640	8530					

Code Name



Miniature Precision Ground Ball Screws (Finished Shaft Ends) PBST Series



Identification Number	Nominal Dia. d1	Nominal Lead	Stroke	Shaft Dimensions													
				L ₁	L ₂	L ₃	G	H	J	K	N	P	Q	R	d ₂	d ₃	d ₄
PBST1616C3T-1.5-571	16	16	200	284	304	371	22	9.15	1.15	30	10	15	10	10	10	12	10
			300	384	404	471											
			400	484	504	571											
			500	584	604	671											
			600	684	704	771											
PBST2010C3T-2.5-599	20	10	200	289	314	399	25	10.15	1.15	40	15	20	10	15	12	15	15
			300	389	414	499											
			400	489	514	599											
			500	589	614	699											
			600	689	714	799											
PBST2020C3T-1.5-720	20	20	300	410	435	520	25	10.15	1.15	40	15	20	10	15	12	15	15
			400	510	535	620											
			500	610	635	720											
			600	710	735	820											
			700	810	835	920											

Unit : mm

					Nut Dimensions													Basic Load Rating (N)	
d ₅	d ₆	d ₇	S	M	Dn	A	L	L ₁	B	E	F	W	C	T	X	Y	Z	C	Co
15	9.6	12	12	M12×1.0	40	63	56	44	12	56	40	51	20	M6	5.5	9.5	5.4	4380	8230
20	14.3	17	17	M15×1.0	44	67	54	41	13	60	44	55	22	M6	5.5	9.5	5.4	8150	17150
20	14.3	16.5	17	M15×1.0	46	74	70	55	15	66	46	59	24	M6	6.6	11	6.5	6710	12640

Code Name

