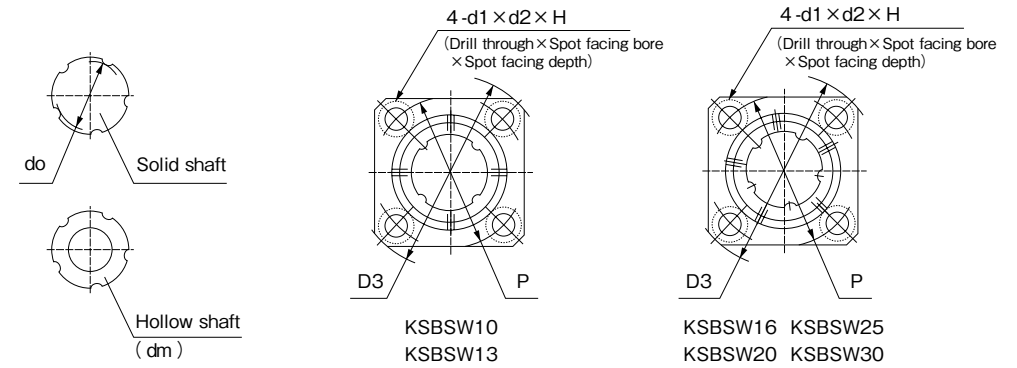
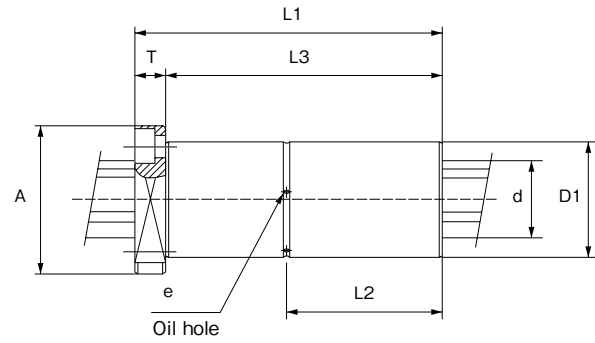


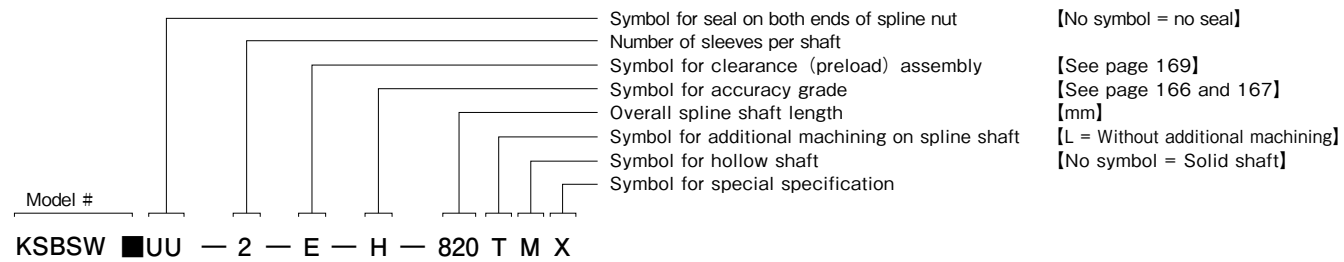
■ Square Flange Double Type KSBSW Series



| Shaft dia.<br>(mm) | Model # |            | Outer dia. |        | Length<br>L1 | Dimensions of flange |    |    |    |     |      | H   | L2   | L3  | Oil hole<br>e |
|--------------------|---------|------------|------------|--------|--------------|----------------------|----|----|----|-----|------|-----|------|-----|---------------|
|                    | No seal | With seals | D1         | (h6)   |              | A                    | D3 | T  | P  | d1  | d2   |     |      |     |               |
| 10                 | KSBSW10 | KSBSW10UU  | 21         | 0      | 59           | 41                   | 41 | 8  | 30 | 4.5 | 8    | 5.3 | 29.5 | 51  | 1.5           |
| 13                 | KSBSW13 | KSBSW13UU  | 24         | -0.013 | 64           | 45                   | 45 | 8  | 34 | 4.5 | 8    | 5.3 | 32   | 56  | 1.5           |
| 16                 | KSBSW16 | KSBSW16UU  | 31         | 0      | 74           | 52                   | 52 | 8  | 40 | 4.5 | 8    | 5.3 | 37   | 66  | 1.5           |
| 20                 | KSBSW20 | KSBSW20UU  | 35         |        | 84           | 60                   | 60 | 10 | 46 | 5.5 | 9.5  | 6.3 | 42   | 74  | 2             |
| 25                 | KSBSW25 | KSBSW25UU  | 42         |        | -0.016       | 110                  | 68 | 68 | 10 | 54  | 5.5  | 9.5 | 6.3  | 55  | 100           |
| 30                 | KSBSW30 | KSBSW30UU  | 47         |        | 122          | 77                   | 77 | 12 | 60 | 6.6 | 12.5 | 7.6 | 61   | 110 | 2.5           |

| Bore dia.<br>dm | Minor dia.<br>do | Number of grooves | Basic rated radial load (kN) |            | Basic rated torque (N · m) |            | Static rated moment (N · m)<br>Mpo - I | Weight (kg) |        | Dia. (h7)<br>d |
|-----------------|------------------|-------------------|------------------------------|------------|----------------------------|------------|--|-------------|--------|----------------|
|                 |                  |                   | Dynamic Cr                   | Static Cor | Dynamic Ct                 | Static Cot |  | Shaft / m   | Sleeve |                |
| 4               | 10               | 4                 | 4.8                          | 8.7        | 23                         | 43         | 82                                     | 0.65        | 0.12   | 10.4           |
| 4               | 13               |                   | 6.6                          | 11.8       | 41                         | 74         | 116                                    | 1.11        | 0.13   | 13.4           |
| 6               | 16               | 5                 | 7.7                          | 13.9       | 64                         | 116        | 176                                    | 1.65        | 0.22   | 16.6           |
| 8               | 20               |                   | 9.3                          | 16.7       | 93                         | 168        | 228                                    | 2.57        | 0.33   | 20.6           |
| 12              | 25               |                   | 21.6                         | 38.9       | 271                        | 488        | 640                                    | 4.04        | 0.47   | 25.8           |
| 17              | 30               |                   | 24.7                         | 44.4       | 363                        | 653        | 787                                    | 5.85        | 0.6    | 30.8           |

● Code Name



- Note 1) Spline nut and shaft are supplied as a matched set.  
 2) See page 170 for fitting dimensions between spline nut and housing box.  
 3) See page 170 for detailed dimensions of keyway and key.