

Feature

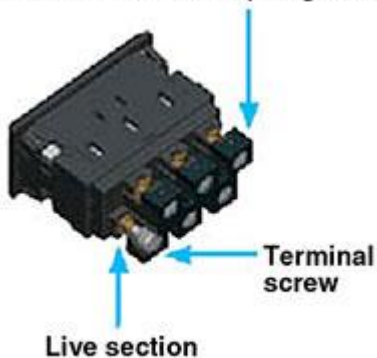
High luminance and brilliant colors (LED illumination)

LED products adopt high luminance model, "PIKARI-KUN," with 7 colors available, including pure white.



Integrated quick terminals and live section covers

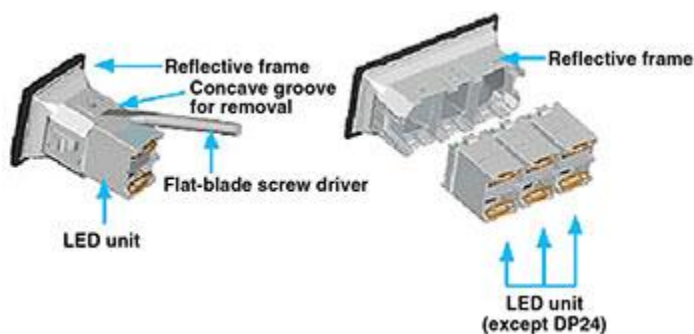
Live section cover (integrated)



(except short body products and DP24)

- Fuji Electric's unique quick terminal (screw-in structure) prevents screw loss and facilitates efficient wiring.
 - Improved safety by integrating live section cover into the main unit.
- [Quick terminal]
1. Screws are held in an up-position, allowing you to connect a line quickly without unscrewing. This expedites wiring tasks.
 2. When unscrewing, the screw is held in an up-position. No chance of losing screws.

Earth Leakage Circuit Breaker

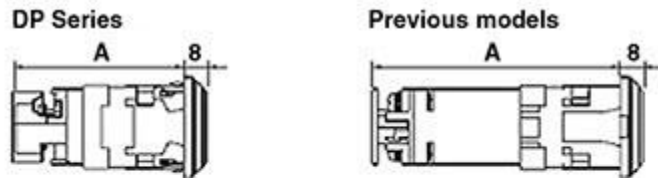


Unit composition facilitates easy replacement and rearrangement of color parts.
(Transformer type 230V product or above, and flicker unit type are fitted with LED.)

Preventive circuit for error lighting included

The LED unit includes a circuit that prevents unintended lighting due to induction voltage or leak current.

Minimized depth



Model	Dimension A	
	DP Series	Previous models
36 type	61	89
40 type	61	90
48 type	67	102

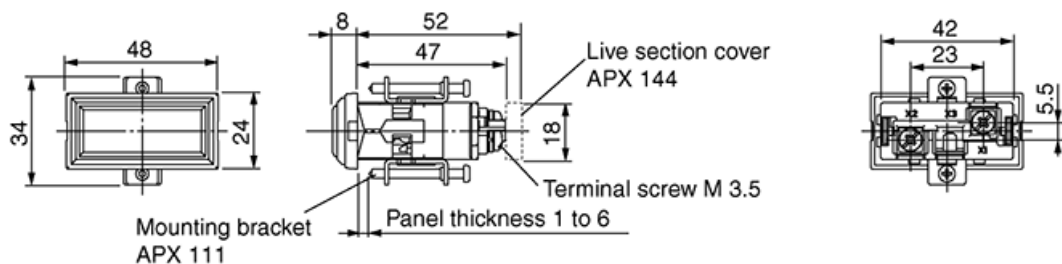
Short body product



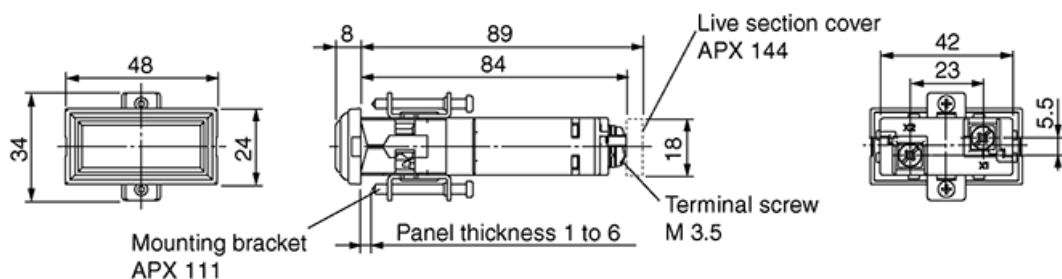
- Products with 110 V, 127 V and 220 V LED come in transformer-less model, significantly reducing the depth compared to products with transformer (2/3 of previous models in depth).
- A short body (D: 50 mm) range is available for LED 24 V products without quick terminal structure (DP36, 40).

DP24

● Full voltage type

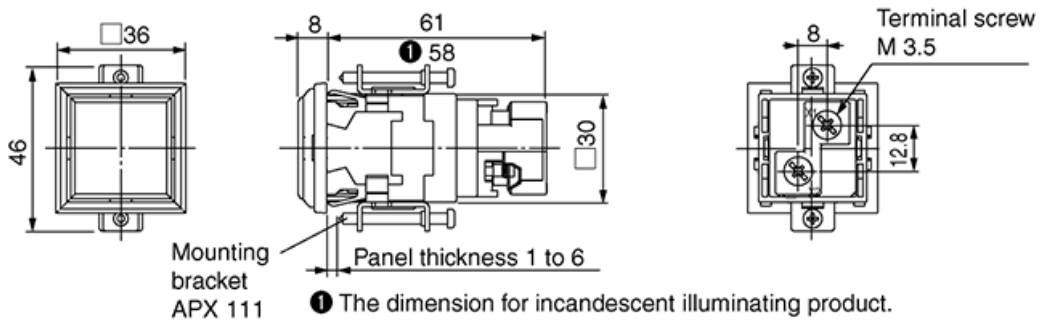


● With transformer

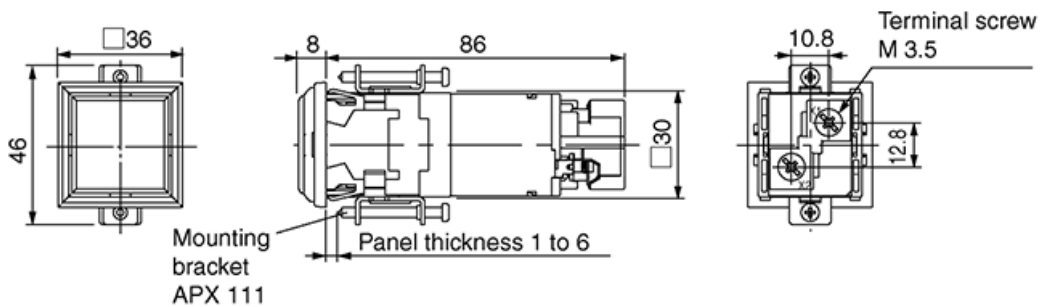


DP36 (square)

- Full voltage type, Type R voltage divider, Type CT voltage divider

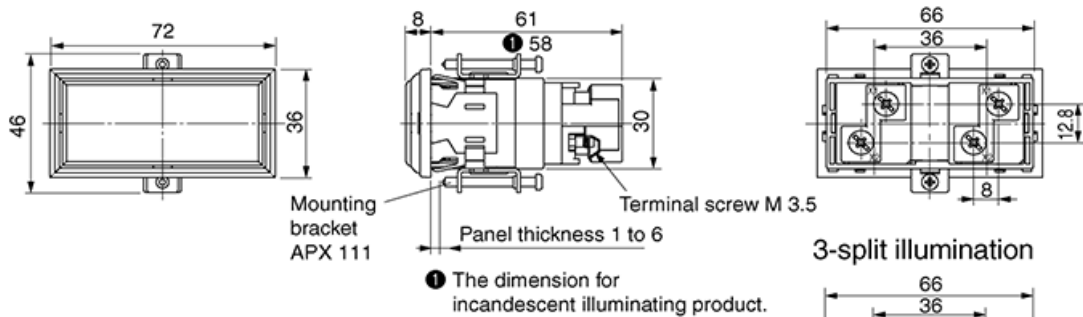


- With transformer (230 to 480V) or flicker unit

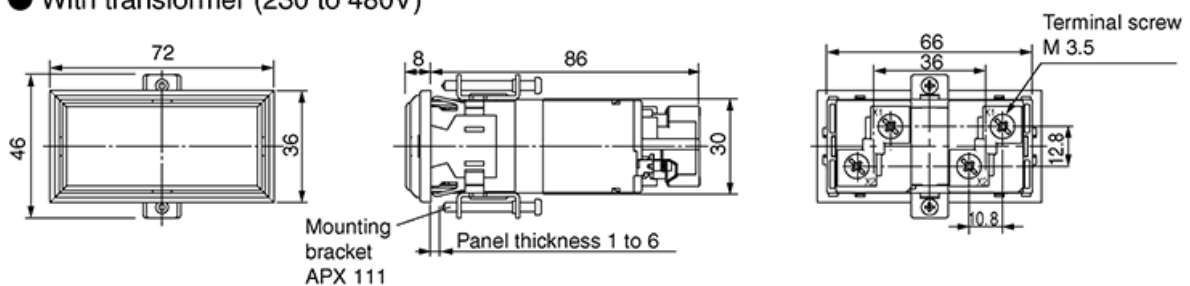


DP36 (rectangular)

- Full voltage type, Type R voltage divider, Type CT voltage divider

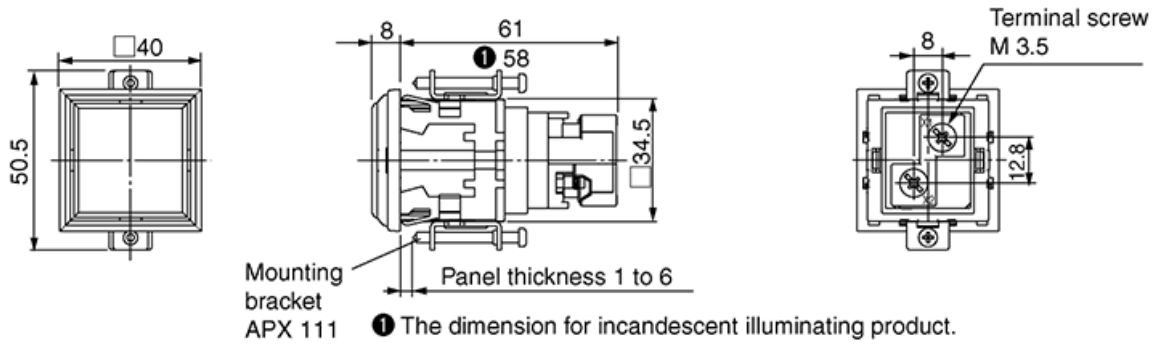


- With transformer (230 to 480V)

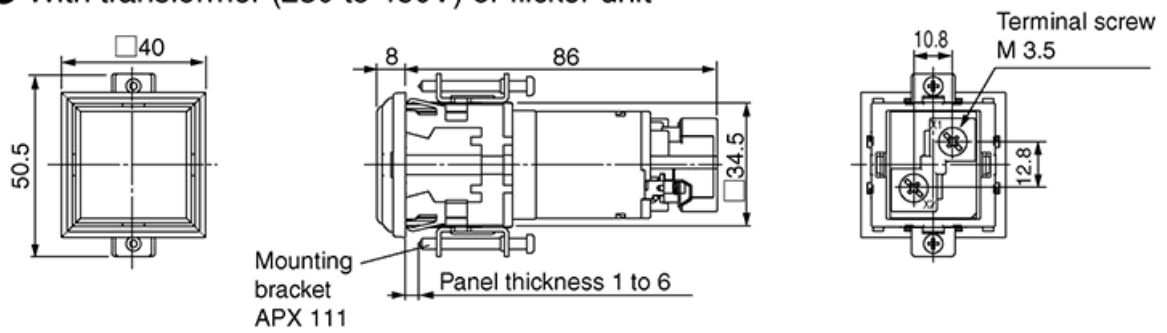


DP40 (square)

- Full voltage type, Type R voltage divider, Type CT voltage divider

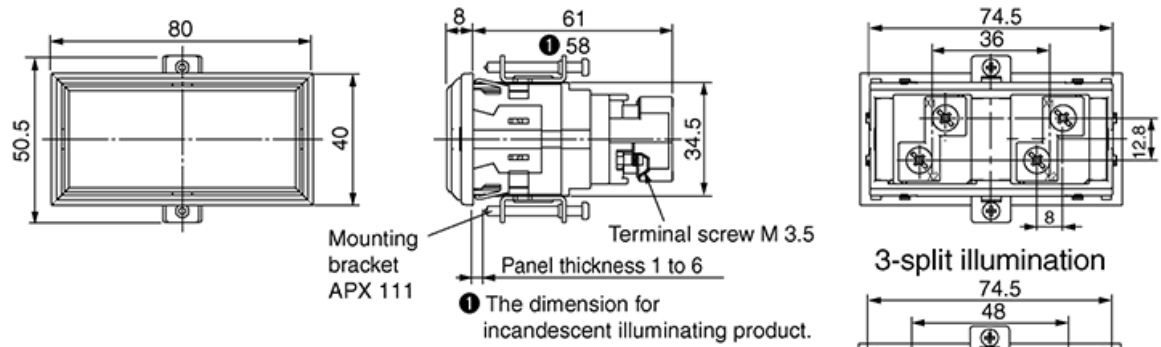


- With transformer (230 to 480V) or flicker unit

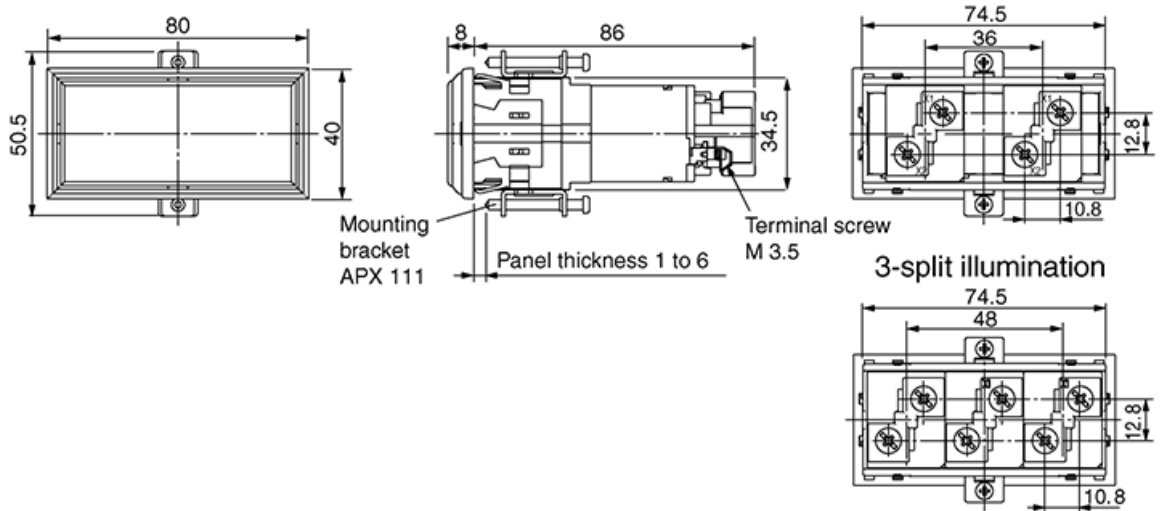


DP40 (rectangular)

- Full voltage type, Type R voltage divider, Type CT voltage divider

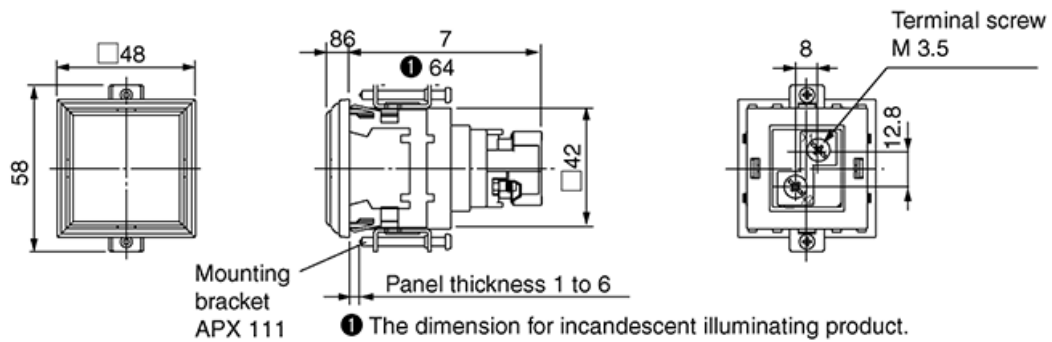


- With transformer (T1N, T2N: 230 to 480V; T3N: 100 to 480V)

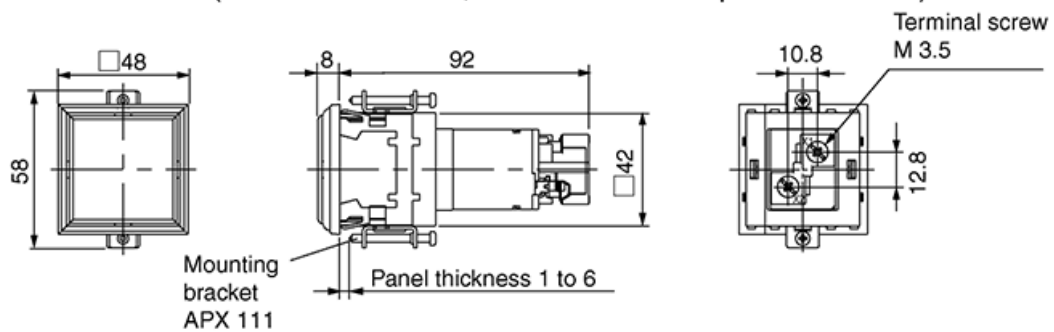


DP48 (square)

- Full voltage type, Type R voltage divider, Type CT voltage divider

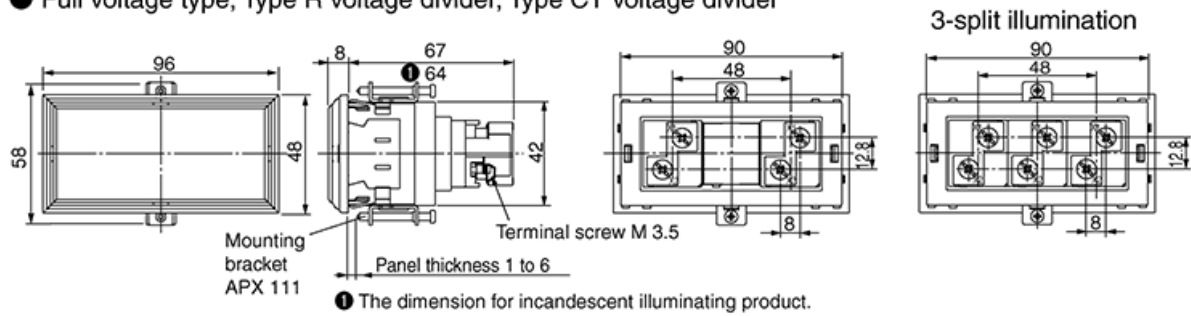


- With transformer (LED: 230 to 480V; incandescent lamp: 100 to 480V) or flicker unit



DP48 (rectangular)

- Full voltage type, Type R voltage divider, Type CT voltage divider



- With transformer (LED: 230 to 480V; incandescent lamp: 100 to 480V) or flicker unit

