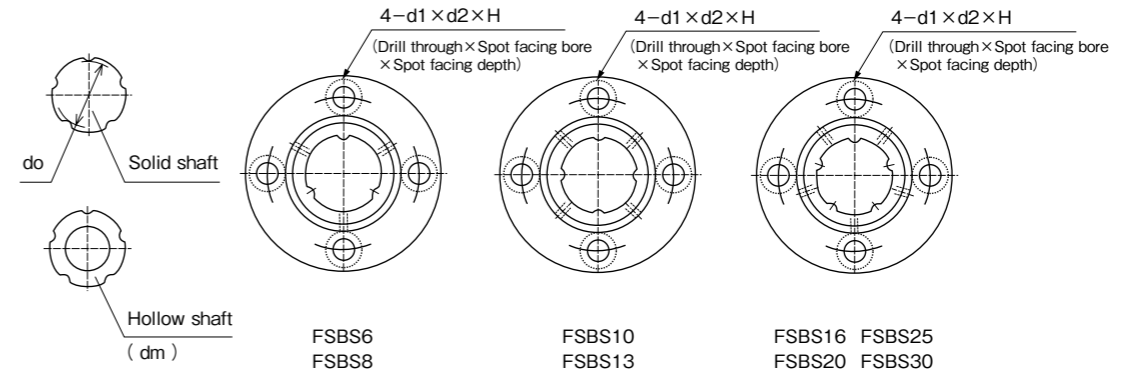
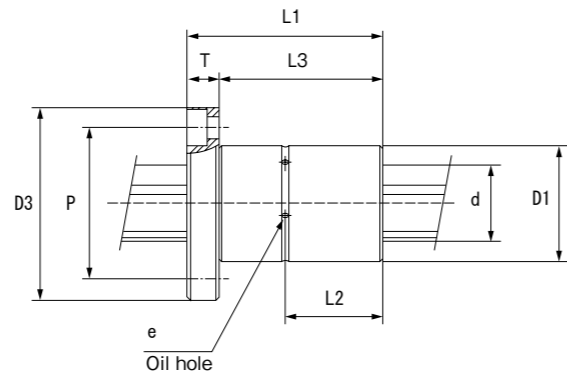


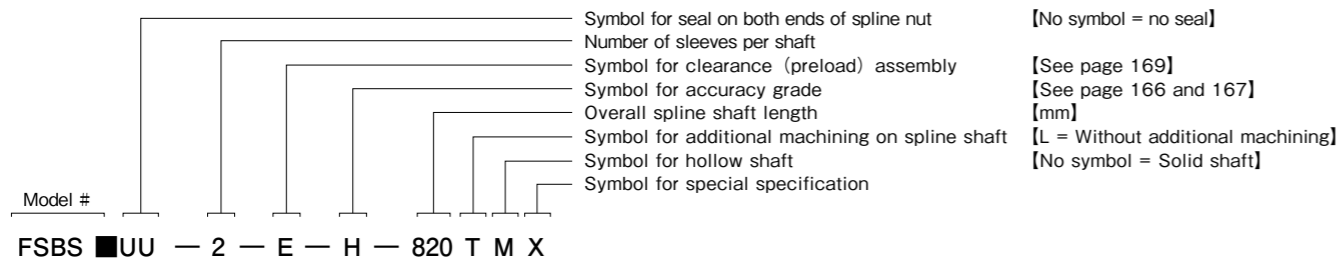
Round Flange Type FSBS Series



Shaft dia. (mm)	Model #		Outer dia.		Length L1	Dimensions of flange					H	L2	L3	Oil hole e	Bore dia. dm
	No seal	With seals	D1	(h6)		D3	T	P	d1	d2					
6	FSBS6	FSBS6UU	14	0	25	30	6	22	3.5	6	3.1	12.5	19	1.5	2
8	FSBS8	FSBS8UU	16	-0.01	25	32	6	24	3.5	6	3.1	12.5	19	1.5	3
10	FSBS10	FSBS10UU	21	0	33	41	8	30	4.5	8	5.3	16.5	25	1.5	4
13	FSBS13	FSBS13UU	24	-0.01	36	45	8	34	4.5	8	5.3	18	28	1.5	4
16	FSBS16	FSBS16UU	31	0	41	52	8	40	4.5	8	5.3	20.5	33	1.5	6
20	FSBS20	FSBS20UU	35		46	60	10	46	5.5	9.5	6.3	23	36	2	8
25	FSBS25	FSBS25UU	42		60	68	10	54	5.5	9.5	6.3	30	50	2	12
30	FSBS30	FSBS30UU	47	-0.02	66	77	12	60	6.6	12.5	7.6	33	54	2.5	17

Minor dia. do	Number of grooves	Basic rated radial load (kN)		Basic rated torque (N · m)		Static rated moment (N · m)		Weight (kg)		Dia. (h7) d
		Dynamic Cr	Static Cor	Dynamic Ct	Static Cot	Mpo- I	Mpo- II	Shaft / m	Sleeve	
5.6	3	1.2	2.1	3.8	9	5	36	0.23	0.03	6
7.6		1.2	2.1	4.8	8.7	5	36	0.39	0.04	8
10	4	2.4	4.3	11	21	15	102	0.65	0.1	10.4
13		3.3	5.9	20	37	22	148	1.11	0.11	13.4
16	5	3.8	6.9	32	58	32	216	1.65	0.19	16.6
20		4.6	8.3	46	84	42	276	2.57	0.28	20.9
25		10.8	19.4	135	244	113	773	4.04	0.37	25.8
30		12.3	22.2	181	327	136	937	5.85	0.52	30.8

Code Name



- Note
- 1) Spline nut and shaft are supplied as a matched set.
  - 2) See page 170 for fitting dimensions between spline nut and housing box.
  - 3) See page 170 for detailed dimensions of keyway and key.