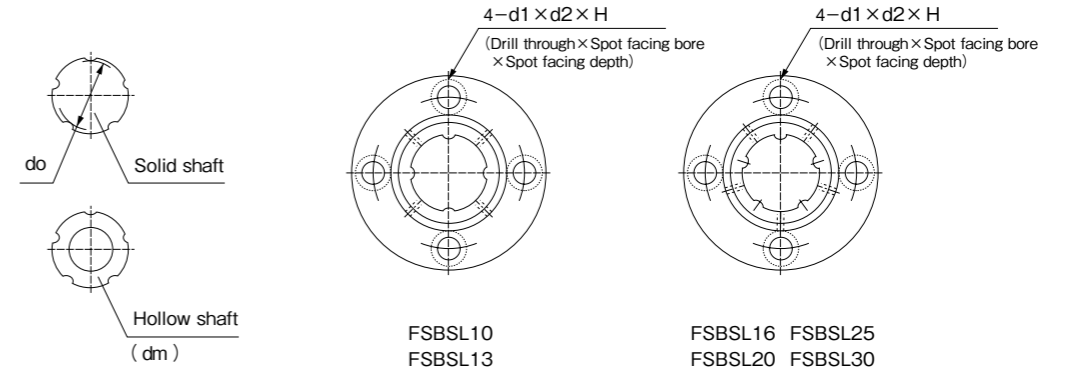
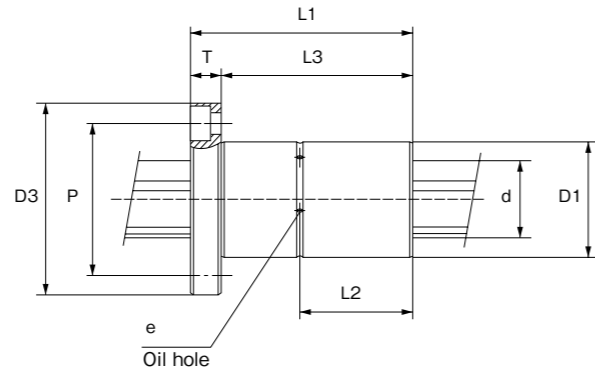


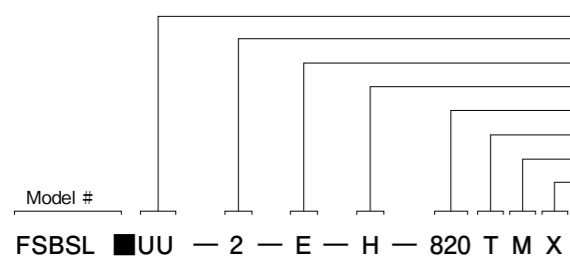
Round Flange Long Type FSBSL Series



Shaft dia. (mm)	Model #		Outer dia.		Length	Dimensions of flange					H	L2	L3	Oil hole e	Bore dia. dm
	No seal	With seals	D1	(h6)		D3	T	P	d1	d2					
10	FSBSL10	FSBSL10UU	21	0	40	42	6	32	4.5	8	4.4	20	34	1.5	4
13	FSBSL13	FSBSL13UU	24	-0.013	44	44	7	33	4.5	8	4.4	22	37	1.5	4
16	FSBSL16	FSBSL16UU	31	0	50	52	7	40	4.5	8	4.4	25	43	1.5	6
20	FSBSL20	FSBSL20UU	35		63	58	9	45	5.5	9.5	5.4	31.5	54	2	8
25	FSBSL25	FSBSL25UU	42		71	65	9	52	5.5	9.5	5.4	35.5	62	2	12
30	FSBSL30	FSBSL30UU	47	-0.016	80	75	10	60	6.6	11	6.5	40	70	2.5	17

Minor dia. do	Number of grooves	Basic rated radial load (kN)		Basic rated torque (N · m)		Static rated moment (N · m)		Weight (kg)		Dia. (h7) d
		Dynamic Cr	Static Cor	Dynamic Ct	Static Cot	Mpo- I	Mpo- II	Shaft / m	スリーブ	
10	4	3.8	6.9	19	34	26	181	0.65	0.09	10.4
13		4.6	8.3	28	52	36	251	1.11	0.11	13.4
16	5	6.2	11.1	51	93	56	386	1.65	0.2	16.6
20		8.5	15.3	85	154	83	611	2.57	0.3	20.9
25		15.4	27.7	193	348	173	1248	4.04	0.4	25.8
30		18.5	33.3	272	490	212	1581	5.85	0.57	30.8

Code Name



- Symbol for seal on both ends of spline nut
 - Number of sleeves per shaft
 - Symbol for clearance (preload) assembly
 - Symbol for accuracy grade
 - Overall spline shaft length
 - Symbol for additional machining on spline shaft
 - Symbol for hollow shaft
 - Symbol for special specification
- [No symbol = no seal]
[See page 169]
[See page 166 and 167]
[mm]
[L = Without additional machining]
[No symbol = Solid shaft]

- Note
- 1) Spline nut and shaft are supplied as a matched set.
 - 2) See page 170 for fitting dimensions between spline nut and housing box.
 - 3) See page 170 for detailed dimensions of keyway and key.