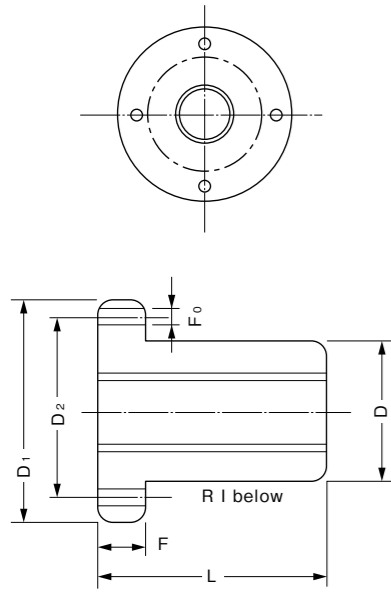
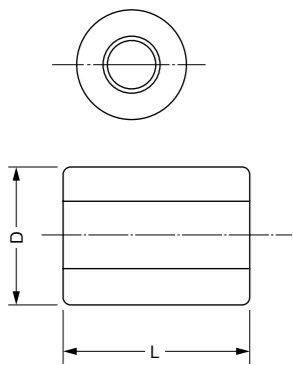


Chart of TTM Type Flange Nut



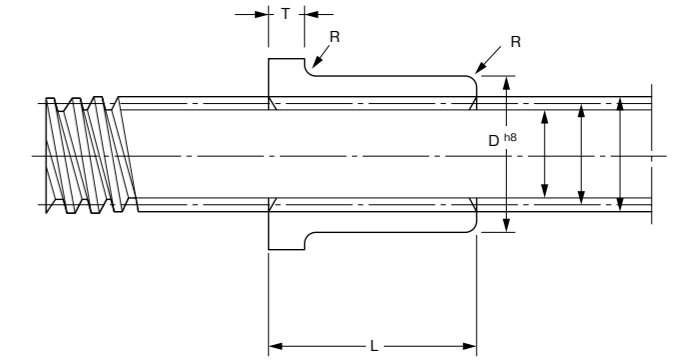
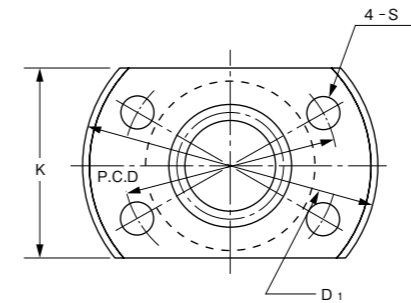
Type	Pitch	Dimension (mm)					
	P	D _{h8}	L	F	D ₁	D ₂	F ₀
TTM10	2	20	24	5	36	26	4.3
TTM12	2	22	30	5	44	31	5.4
TTM14	3	22	30	5	44	31	5.4
TTM16	3	28	35	6	51	38	6.6
TTM18	4	32	40	6	56	42	6.6
TTM20	4	32	40	6	56	42	6.6
TTM22	5	36	50	7	61	47	6.6
TTM25	5	36	50	7	61	47	6.6
TTM28	5	44	56	8	76	58	9.0
TTM32	6	44	56	8	76	58	9.0
TTM36	6	52	60	8	84	66	9.0
TTM40	6	58	70	10	98	76	11.0
TTM50	8	68	80	10	109	85	11.0

Chart of STM Straight Nut

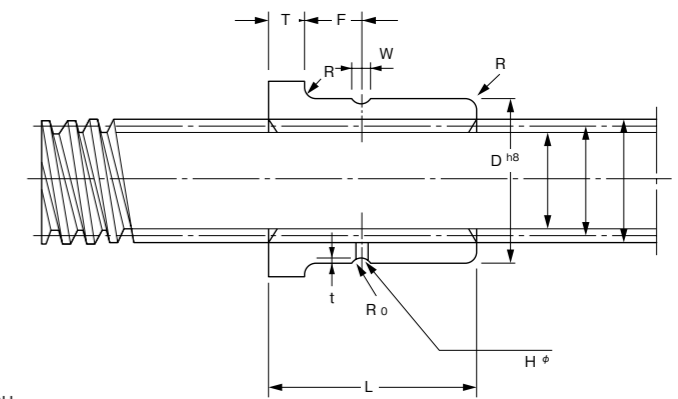
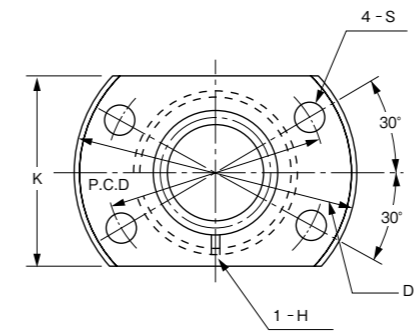


Type	Pitch	Dimensions (mm)		
		D _{h8}	L	r
STM10	2	20	20	1
STM12	2	22	22	1
STM14	3	22	22	1
STM16	3	28	26	1
STM18	4	32	31	1
STM20	4	32	31	1
STM22	5	36	40	1
STM25	5	36	40	1
STM28	5	44	45	1.5
STM32	6	44	45	1.5
STM36	6	52	49	1.5
STM40	6	58	57	1.5
STM50	8	68	67	1.5

30° Trapezoidal Feed Screws KTM, KTM-OH Series



KTM



KTM-OH

Unit : mm

Type		Dimensions														
Without Lub.Hole	Without Lub.Hole	Pitch P	D _{h8}	D ₁	P.C.D	K	L	R	T	F	S	H ^φ	W	R ₀	t	
KTM10	KTM10-OH	2	20	36	26	22	24	Under 1	5	6	4.3	1.5	2.5	1.8R	0.5	
KTM12	KTM12-OH	2	22	44	31	24	30	Under 1	5	7	5.4	1.5	2.5	1.8R	0.5	
KTM14	KTM14-OH	3	22	44	31	24	30	Under 1	5	7	5.4	1.5	2.5	1.8R	0.5	
KTM16	KTM16-OH	3	28	51	38	31	35	Under 1	6	8	6.6	1.5	2.5	1.8R	0.5	
KTM18	KTM18-OH	4	32	56	42	34	40	Under 1	6	10.5	6.6	2	3	2.5R	0.5	
KTM20	KTM20-OH	4	32	56	42	34	40	Under 1	6	10.5	6.6	2	3	2.5R	0.5	
KTM22	KTM22-OH	5	36	61	47	40	50	Under 1	7	14	6.6	2.5	3.5	2.5R	0.7	
KTM25	KTM25-OH	5	36	61	47	40	50	Under 1	7	14	6.6	2.5	3.5	2.5R	0.7	
KTM28	KTM28-OH	5	44	76	58	48	56	Under 1	8	15	9	2.5	3.5	2.5R	0.7	
KTM32	KTM32-OH	6	44	76	58	48	56	Under 1	8	15	9	2.5	3.5	2.5R	0.7	
KTM36	KTM36-OH	6	52	84	66	56	60	Under 1	8	17	9	3	4	3.2R	0.7	
KTM40	KTM40-OH	6	58	98	76	62	70	Under 1	10	19	11.0	3	4	3.2R	0.7	