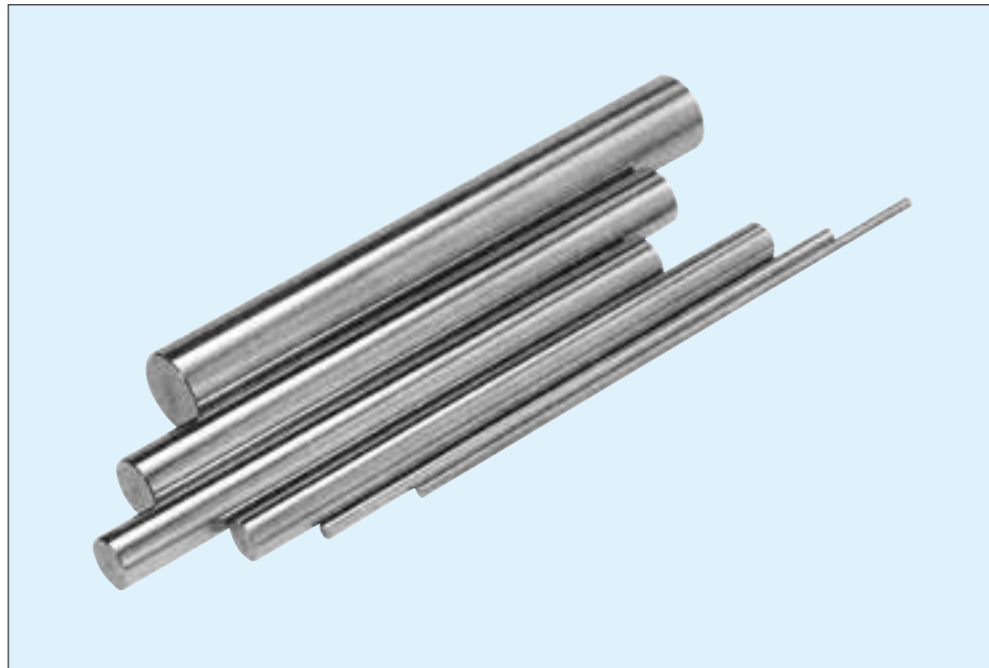
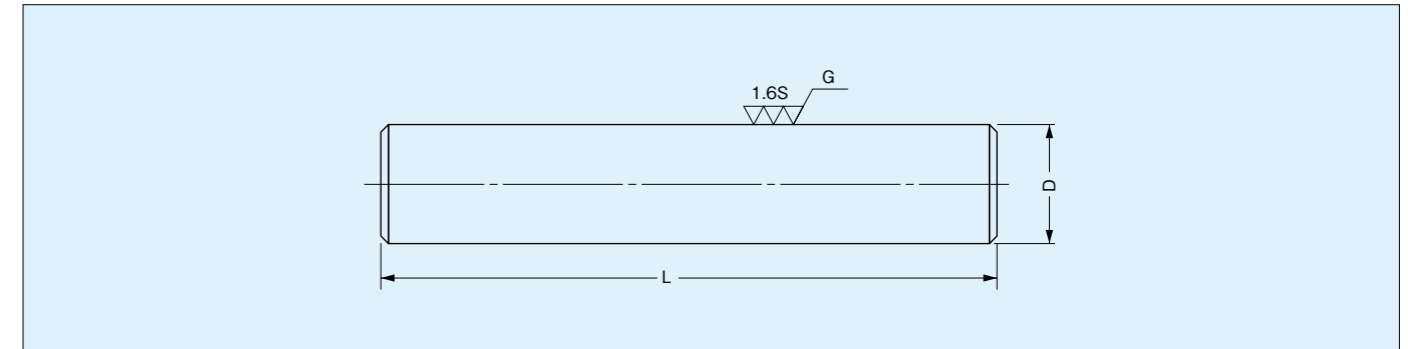


**LS Type Standard Shafts**

The TSK linear motion shafts are stable, high-quality products manufactured by most up-to-date facilities as well as long-year rich experiences. They may be used linear motion devices and any other applications.



- Material SUJ2 (High carbon steel) or equivalent
- Hardening depth more than 0.5mm
- High-frequency induction hardening
- Surface roughness less than 1.6s
- Hardness more than H<sub>R</sub>C60
- Tolerance of shaft diameter g6



(Range in blue indicates standard stock.) tolerance : g 6

D mm	Code Name	Overall Length (L) mm																Hardness Layer	Hardness Depth mm
		25	50	100	150	200	250	300	400	500	600	800	1000	1200	1500	2000	3000		
1	LS 1																	●	0.5
2	LS 2																		
3	LS 3																		
4	LS 4																		
5	LS 5																		
6	LS 6																		
8	LS 8																●	1.0	
10	LS 10																		
12	LS 12																		
13	LS 13																		
16	LS 16															●	1.5		
20	LS 20																		
25	LS 25																		
30	LS 30																		
35	LS 35																		
40	LS 40																		
50	LS 50																		
60	LS 60																		
80	LS 80																		
100	LS100																		

Sub Standard