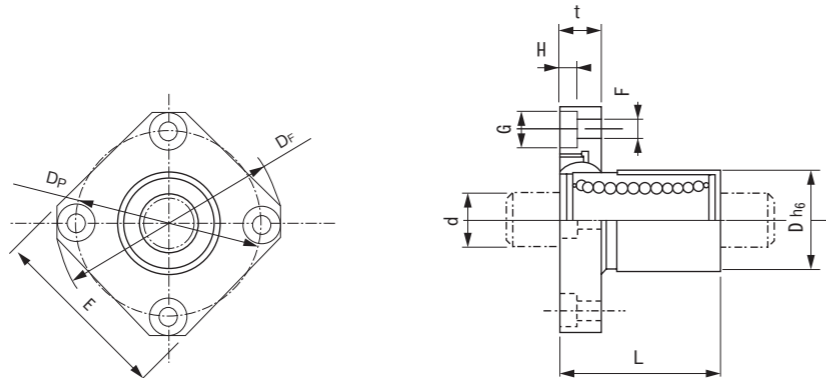
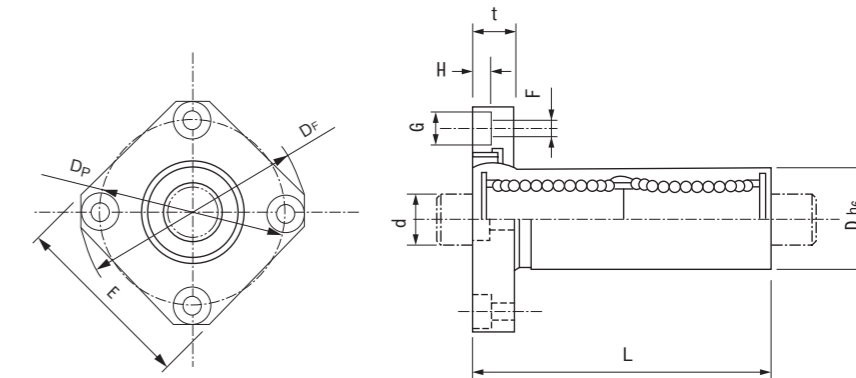


Self-Aligning Square Flange Type KTSB Series



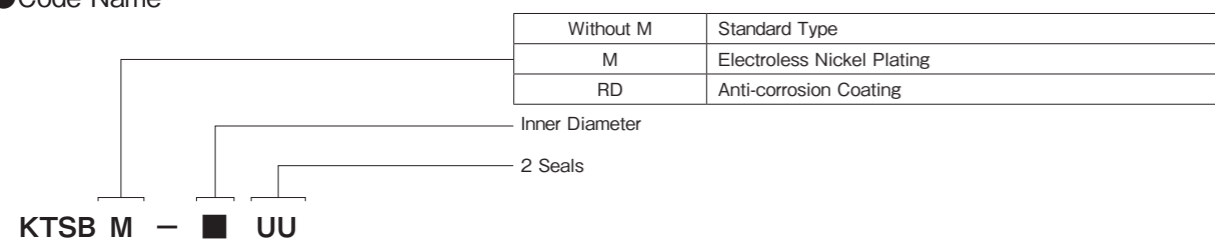
Shaft Diameter (mm)	Code Name	Major Dimensions (mm)										Eccentricity (MAX) (μm)	Basic Load Rating	
		d	D	L	D _F	E	t	D _p	F	G	H		C (N)	C ₀ (N)
10	KTSB-10UU	10	19	30	43	34	8	34.5	3.4	6.5	3.3	12	372	548
12	KTSB-12UU	12	21	31	48	37	9	39	4.5	7.5	4.3		411	597
13	KTSB-13UU	13	23	33	48	37	9.5	39	4.5	7.5	4.3		509	774
16	KTSB-16UU	16	28	38	54	42	11	44	4.5	7.5	4.3		774	1,176
20	KTSB-20UU	20	32	43	62	50	12	51	5.5	9	5.3	15	862	1,372
25	KTSB-25UU	25	40	59	74	58	13	62	5.5	9	5.3		980	1,568
30	KTSB-30UU	30	45	65	82	64	14	67	6.6	11	6.5	20	1,568	2,744
35	KTSB-35UU	35	52	70	96	75	15	81	6.6	11	6.5		1,666	3,136
40	KTSB-40UU	40	60	80	108	85	16	90	9	14	8.5	20	2,156	4,018

Self-Aligning Square Flange Double Type KTSBW Series



Shaft Diameter (mm)	Code Name	Major Dimensions (mm)										Eccentricity (MAX) (μm)	Basic Load Rating	
		d	D	L	D _F	E	t	D _p	F	G	H		C (N)	C ₀ (N)
10	KTSBW-10UU	10	19	56	43	34	8	34.5	3.4	6.5	3.3	15	588	784
12	KTSBW-12UU	12	21	58	48	37	9	39	4.5	7.5	4.3		656	854
13	KTSBW-13UU	13	23	62	48	37	9.5	39	4.5	7.5	4.3		813	1,568
16	KTSBW-16UU	16	28	70	54	42	11	44	4.5	7.5	4.3		1,225	2,352
20	KTSBW-20UU	20	32	80	62	50	12	51	5.5	9	5.3	20	1,401	2,744
25	KTSBW-25UU	25	40	112	74	58	13	62	5.5	9	5.3		1,558	3,136
30	KTSBW-30UU	30	45	123	82	64	14	67	6.6	11	6.5	25	2,489	5,488
35	KTSBW-35UU	35	52	135	96	75	15	81	6.6	11	6.5		2,646	6,272
40	KTSBW-40UU	40	60	154	108	85	16	90	9	14	8.5	25	3,430	8,036

Code Name



Code Name

