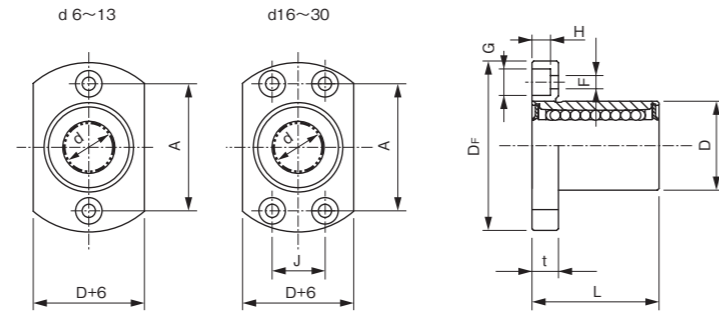
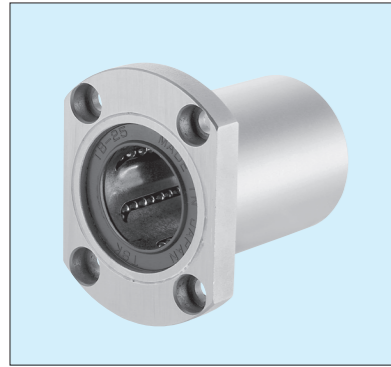
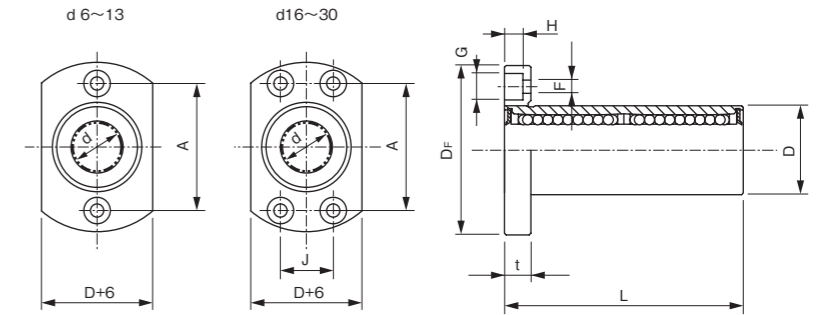
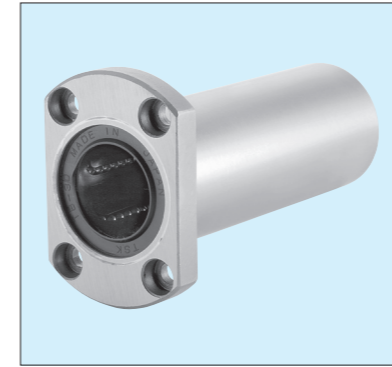


Compact Flange Type CFTB Series



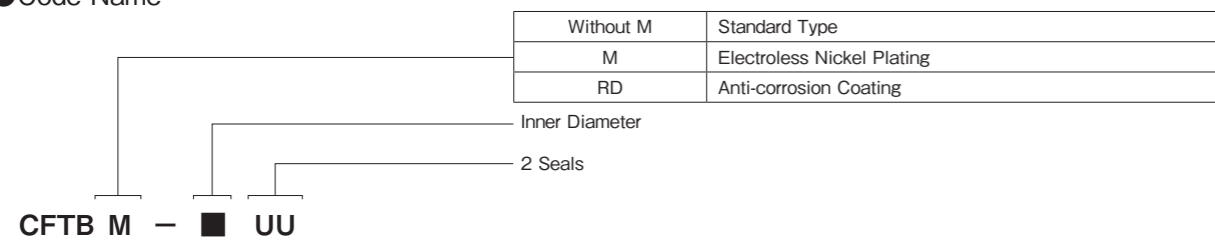
Shaft Diameter (mm)	Code Name	Major Dimensions (mm)										Perpendicularity ( $\mu\text{m}$ )	Eccentricity (MAX) ( $\mu\text{m}$ )	Basic Load Rating	
		d	D	L	D <sub>F</sub>	t	J	A	F	G	H			C (N)	C <sub>0</sub> (N)
6	CFTB-6UU	6	12	19	28	5	-	20	3.5	6	3.1	12	12	205	264
8	CFTB-8UU	8	15	24	32	5	-	24	3.5	6	3.1			264	401
10	CFTB-10UU	10	19	29	40	6	-	29	4.5	7.5	4.1			372	548
12	CFTB-12UU	12	21	30	42	6	-	32	4.5	7.5	4.1			411	597
13	CFTB-13UU	13	23	32	43	6	-	33	4.5	7.5	4.1			509	774
16	CFTB-16UU	16	28	37	48	6	22	31	4.5	7.5	4.1			774	1,176
20	CFTB-20UU	20	32	42	54	8	24	36	5.5	9	5.1	15	15	862	1,372
25	CFTB-25UU	25	40	59	62	8	32	40	5.5	9	5.1			980	1,568
30	CFTB-30UU	30	45	64	74	10	35	49	6.6	11	6.1			1,568	2,744

Compact Flange Double Type CFBTW Series



Shaft Diameter (mm)	Code Name	Major Dimensions (mm)										Perpendicularity ( $\mu\text{m}$ )	Eccentricity (MAX) ( $\mu\text{m}$ )	Basic Load Rating	
		d	D	L	D <sub>F</sub>	t	J	A	F	G	H			C (N)	C <sub>0</sub> (N)
6	CFTBW-6UU	6	12	35	28	5	-	20	3.5	6	3.1	15	15	323	529
8	CFTBW-8UU	8	15	45	32	5	-	24	3.5	6	3.1			431	784
10	CFTBW-10UU	10	19	55	40	6	-	29	4.5	7.5	4.1			588	1,097
12	CFTBW-12UU	12	21	57	42	6	-	32	4.5	7.5	4.1			656	1,195
13	CFTBW-13UU	13	23	61	43	6	-	33	4.5	7.5	4.1			813	1,568
16	CFTBW-16UU	16	28	70	48	6	22	31	4.5	7.5	4.1			1,225	2,352
20	CFTBW-20UU	20	32	80	54	8	24	36	5.5	9	5.1	20	20	1,401	2,744
25	CFTBW-25UU	25	40	112	62	8	32	40	5.5	9	5.1			1,558	3,136
30	CFTBW-30UU	30	45	123	74	10	35	49	6.6	11	6.1			2,489	5,488

Code Name



Code Name

