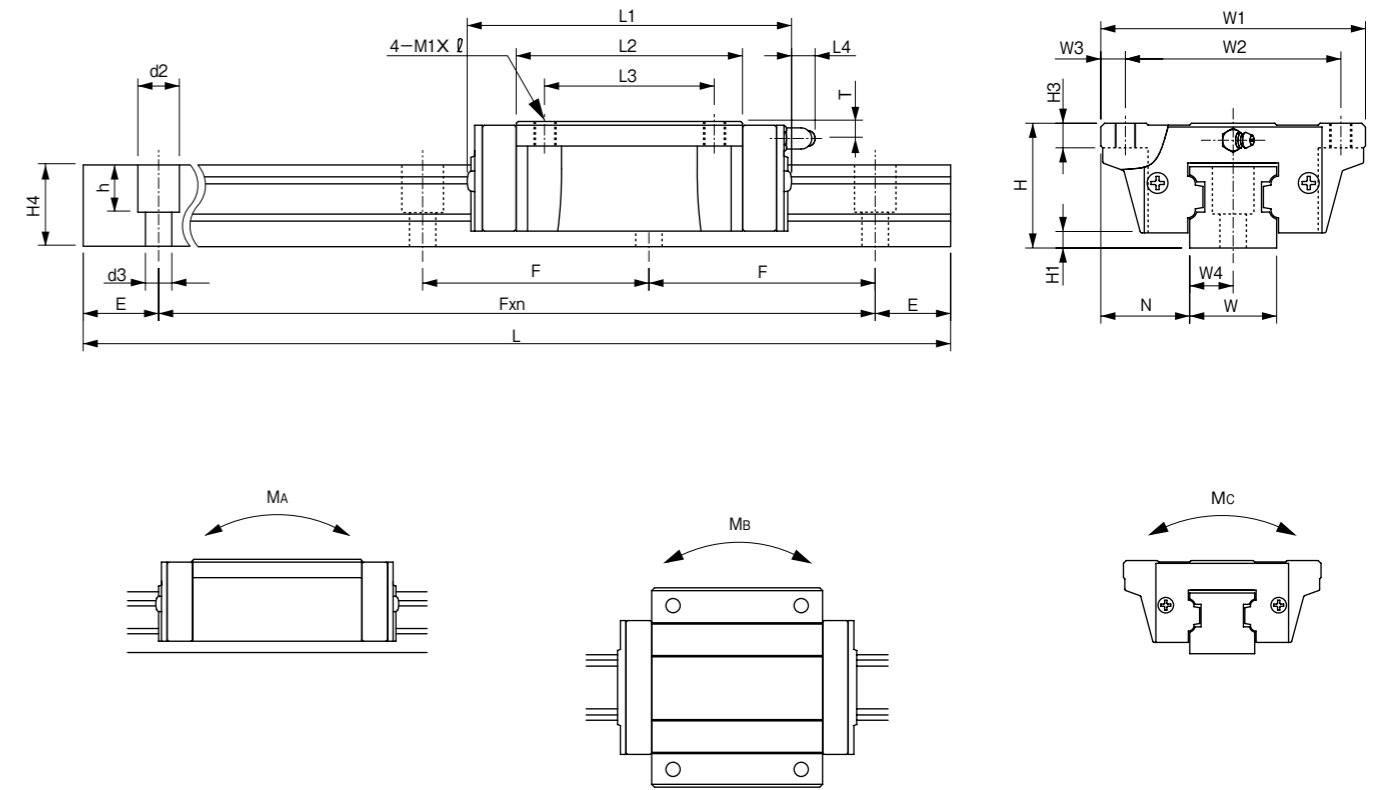
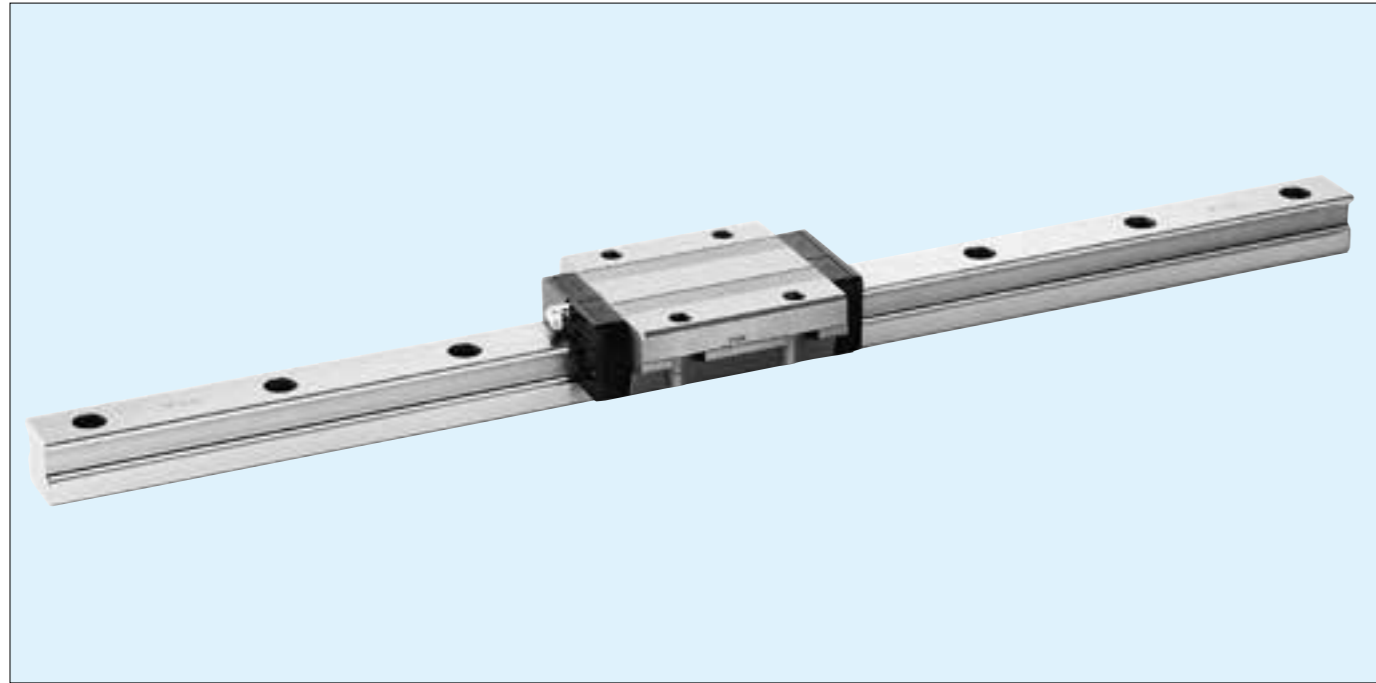


TSK Heavy-Load, Standard Rail, LMB Guide HS-LT Series (Long Block, Tap Hole Type)



Model Number	Dimensions of Assembly			Slide Block Dimensions									
	H	H1	N	W1	W2	W3	L1	L2	L3	L4	H3	M1 × ℓ	T
HS25LT	36	6.5	23.5	70	57	6.5	108	83	45	12	10	M 8×10	6
HS30LT	42	7	31	90	72	9	123	94	52	12	13	M10×13	5.5
HS35LT	48	8	33	100	82	9	142	109	62	12	13	M10×13	7.5
HS45LT	60	11	37.5	120	100	10	168	130	80	16	15	M12×15	8.5
HS55LT	70	14	43.5	140	116	12	192	156	95	16	17	M14×17	10
HS65LT	85	14	53.5	170	142	14	248	207	110	16	20	M16×20	13

Unit : mm

Rail Dimensions								Basic Load Rating [N]		Static Rated Moment [N · M]			Weight	
W	W4	H4	d2	d3	h	E	F	C	Co	Ma	Mb	Mc	Block [kg]	Rail [kg/m]
23	11.5	24	11	7	11	20	60	26730	54240	775	775	871	0.9	3.6
28	14	28	14	9	14	20	80	35630	69480	1094	1094	1337	1.5	5.1
34	17	32	14	9	15	20	80	49350	96420	1837	1837	2232	2.4	7.3
45	22.5	42	20	14	21	22.5	105	76180	141800	3189	3189	4268	3.7	12.6
53	26.5	48	23	16	24	30	120	112400	204200	5510	5510	7228	6.7	17.1
63	31.5	58	26	18	25	35	150	188800	339000	12110	12110	14560	15.0	24.6

Code Name

