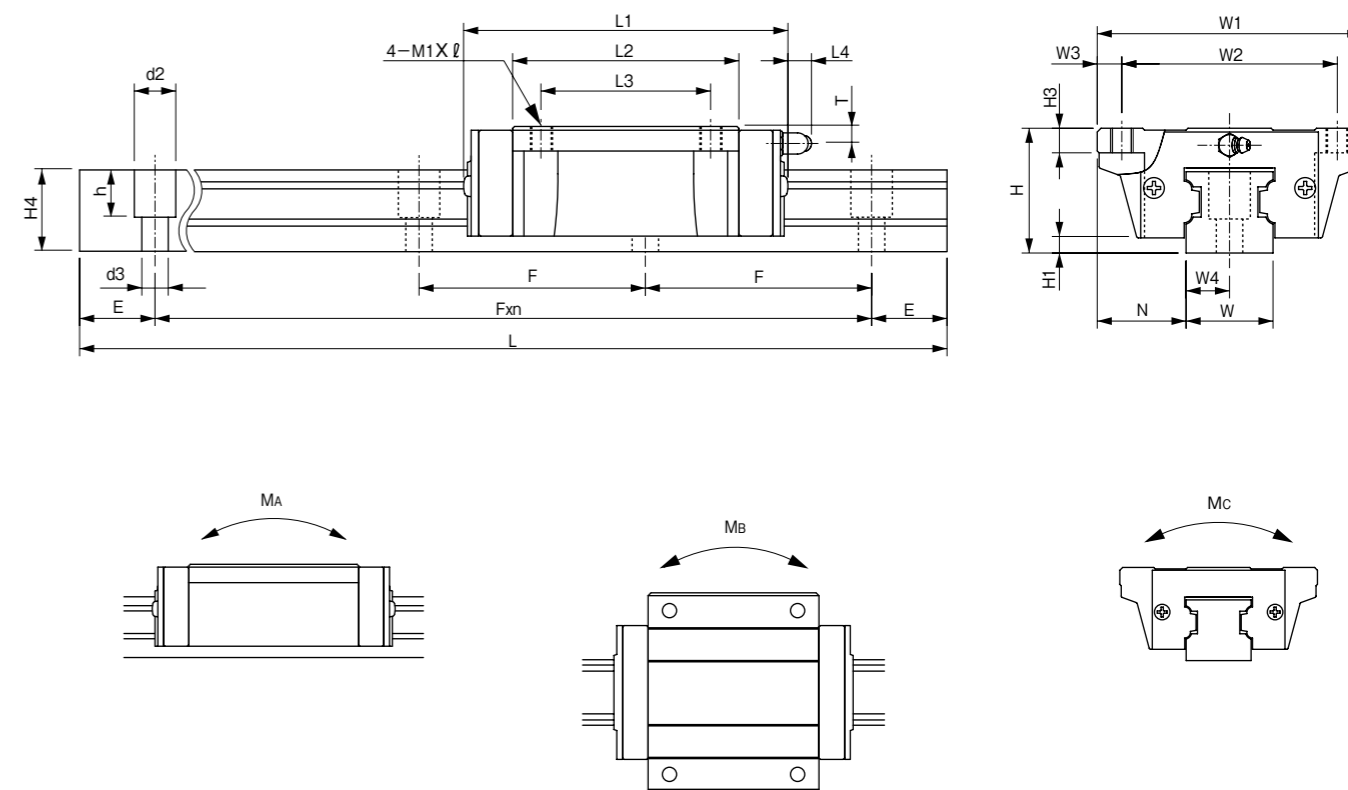
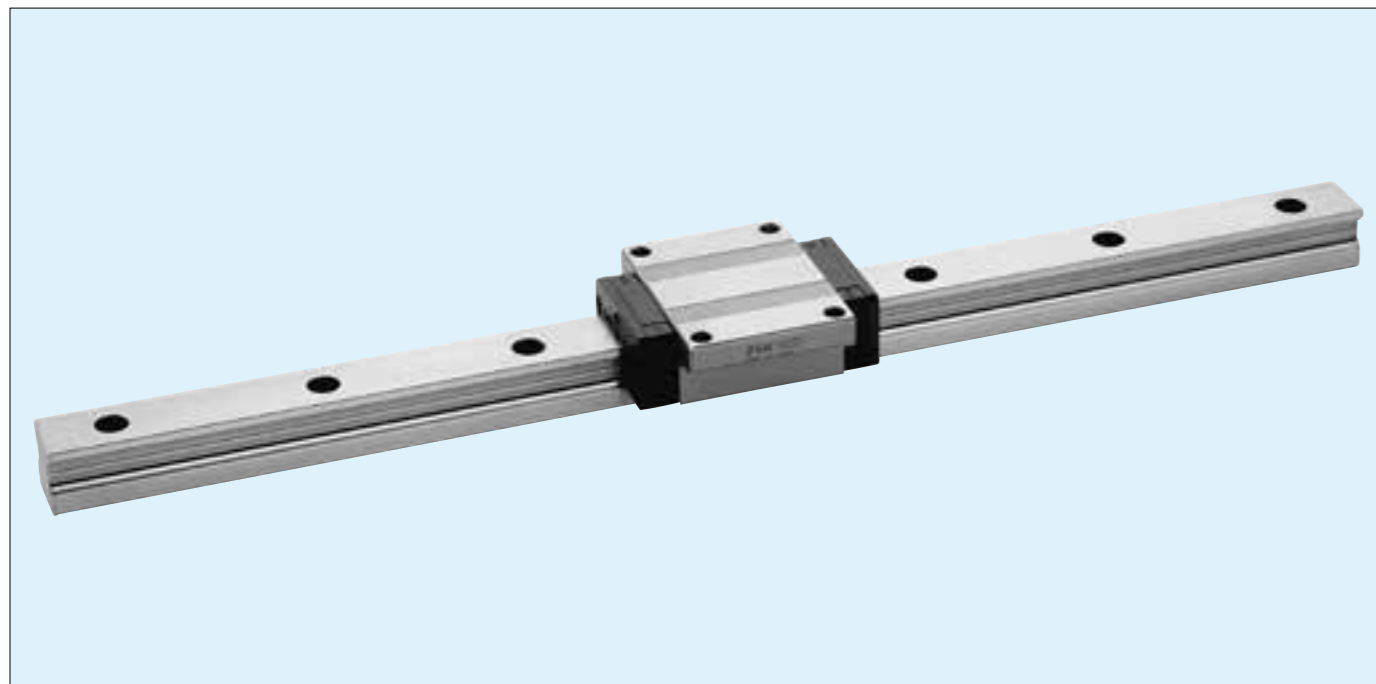


TSK Heavy-Load, Standard Rail, LMB Guide HS-T Series (Normal Block, Tap Hole Type)



Model Number	Dimensions of Assembly			Slide Block Dimensions									
	H	H1	N	W1	W2	W3	L1	L2	L3	L4	H3	M1 × l	T
HS15T	24	4.6	16	47	38	4.5	59	38.5	30	0	7	M 5 × 7	3.5
HS20T	30	5	21.5	63	53	5	73	50	40	0	8	M 6 × 8	5.2
HS25T	36	6.5	23.5	70	57	6.5	84	59	45	12	10	M 8 × 10	6
HS30T	42	7	31	90	72	9	97	68	52	12	13	M10 × 13	5.5
HS35T	48	8	33	100	82	9	113	80	62	12	13	M10 × 13	7.5
HS45T	60	11	37.5	120	100	10	140	102	80	16	15	M12 × 15	8.5
HS55T	70	14	43.5	140	116	12	160	124	95	16	17	M14 × 17	10
HS65T	85	14	53.5	170	142	14	189	148	110	16	20	M16 × 20	13

Unit : mm

Rail Dimensions								Basic Load Rating [N]		Static Rated Moment [N · M]			Weight	
W	W4	H4	d2	d3	h	E	F	C	Co	MA	Mb	Mc	Block [kg]	Rail [kg/m]
15	7.5	17	7.5	4.5	7	20	60	8816	17020	117	117	180	0.19	1.7
20	10	21	9.5	6	11	20	60	14210	26590	229	229	367	0.4	2.8
23	11.5	24	11	7	11	20	60	20950	38290	395	395	614	0.64	3.6
28	14	28	14	9	14	20	80	29100	52110	627	627	1003	1.1	5.1
34	17	32	14	9	15	20	80	38730	68060	936	936	1576	1.6	7.3
45	22.5	42	20	14	21	22.5	105	62380	106300	1829	1829	3201	2.7	12.6
53	26.5	48	23	16	24	30	120	97120	165900	3687	3687	5873	5.0	17.1
63	31.5	58	26	18	25	35	150	148000	239300	6173	6173	10280	10.0	24.6

Code Name

