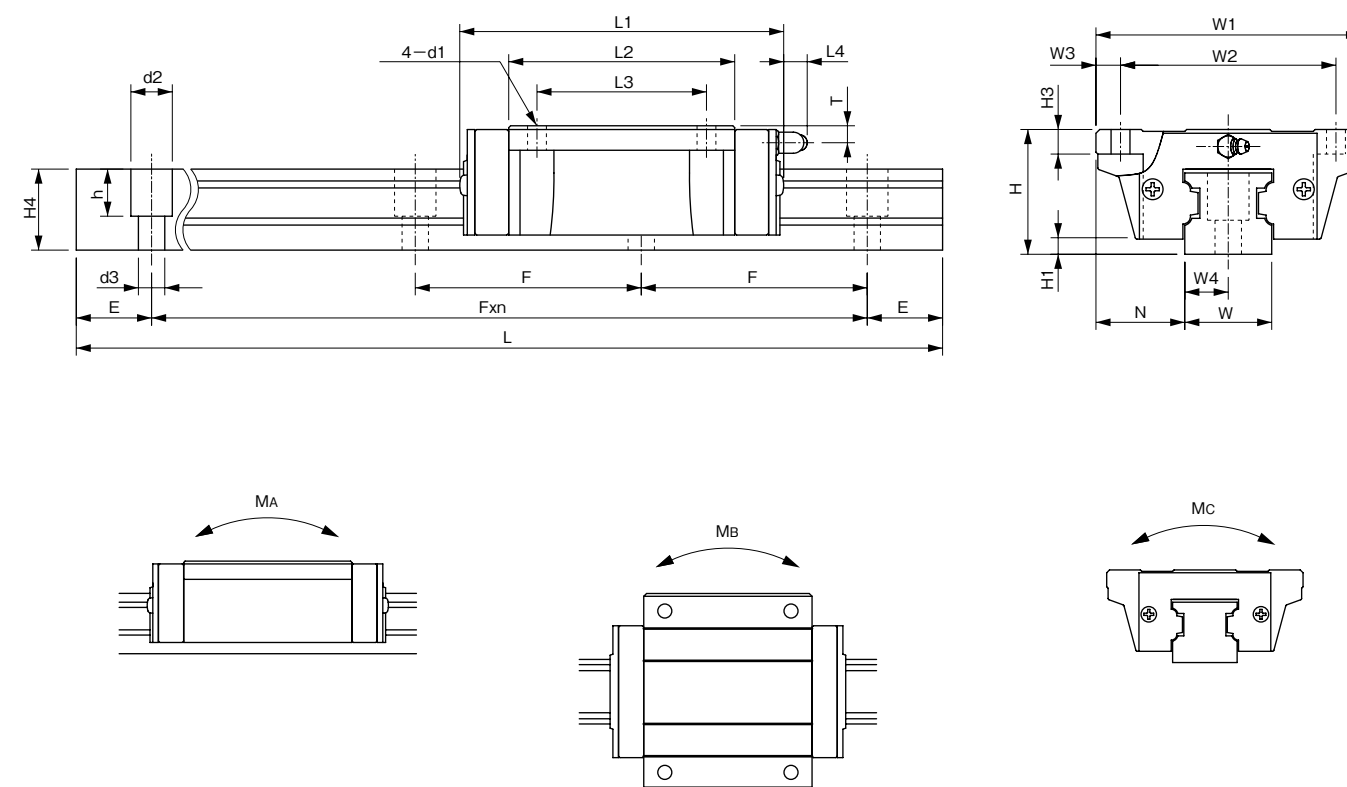
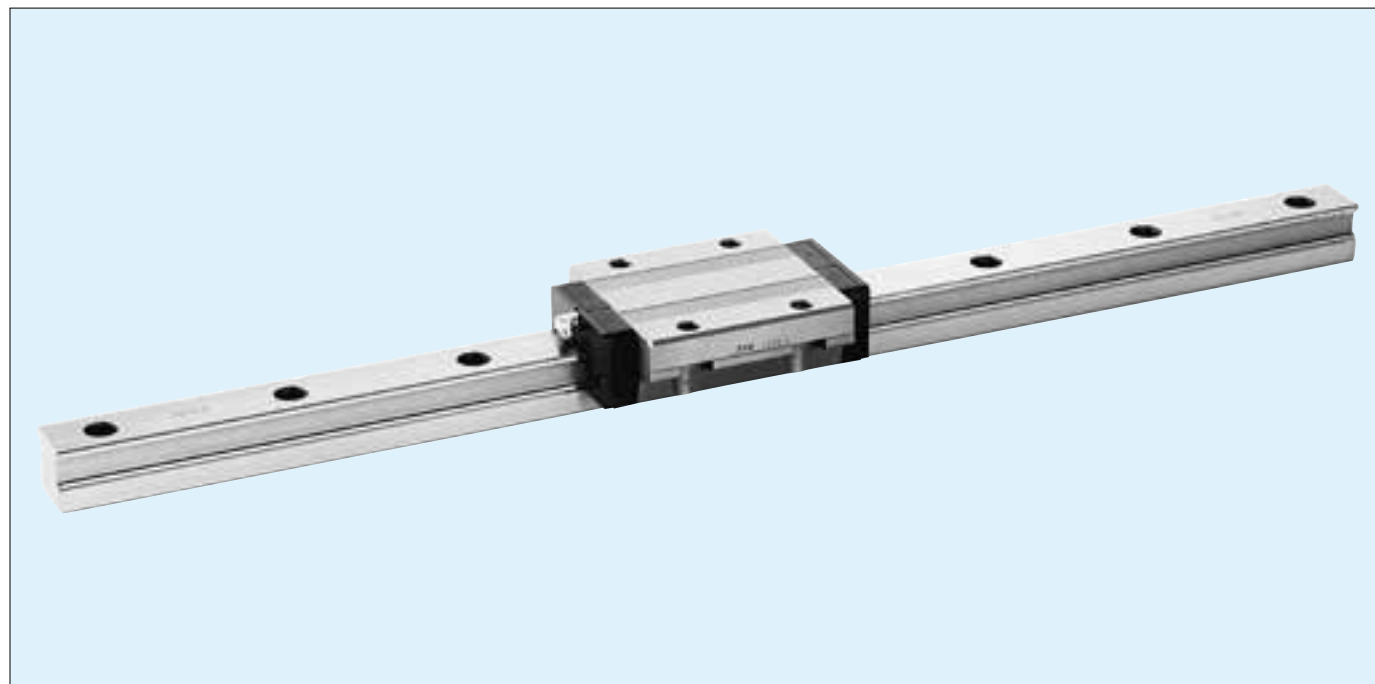


TSK Heavy-Load, Standard Rail, LMB Guide HS-LA Series (Long Block, Drilled Hole Type)



Model Number	Dimensions of Assembly			Slide Block Dimensions									
	H	H1	N	W1	W2	W3	L1	L2	L3	L4	H3	d1	T
HS25LA	36	6.5	23.5	70	57	6.5	108	83	45	12	10	7	6
HS30LA	42	7	31	90	72	9	123	94	52	12	13	9	5.5
HS35LA	48	8	33	100	82	9	142	109	62	12	13	9	7.5
HS45LA	60	11	37.5	120	100	10	168	130	80	16	15	11	8.5
HS55LA	70	14	43.5	140	116	12	192	156	95	16	17	14	10
HS65LA	85	14	53.5	170	142	14	248	207	110	16	20	16	13

Unit : mm

Rail Dimensions								Basic Load Rating [N]		Static Rated Moment [N · M]			Weight	
W	W4	H4	d2	d3	h	E	F	C	Co	MA	MB	Mc	Block [kg]	Rail [kg/m]
23	11.5	24	11	7	11	20	60	26730	54240	775	775	871	0.9	3.6
28	14	28	14	9	14	20	80	35630	69480	1094	1094	1337	1.5	5.1
34	17	32	14	9	15	20	80	49350	96420	1837	1837	2232	2.4	7.3
45	22.5	42	20	14	21	22.5	105	76180	141800	3189	3189	4268	3.7	12.6
53	26.5	48	23	16	24	30	120	112400	204200	5510	5510	7228	6.7	17.1
63	31.5	58	26	18	25	35	150	188800	339000	12110	12110	14560	15.0	24.6

Code Name

