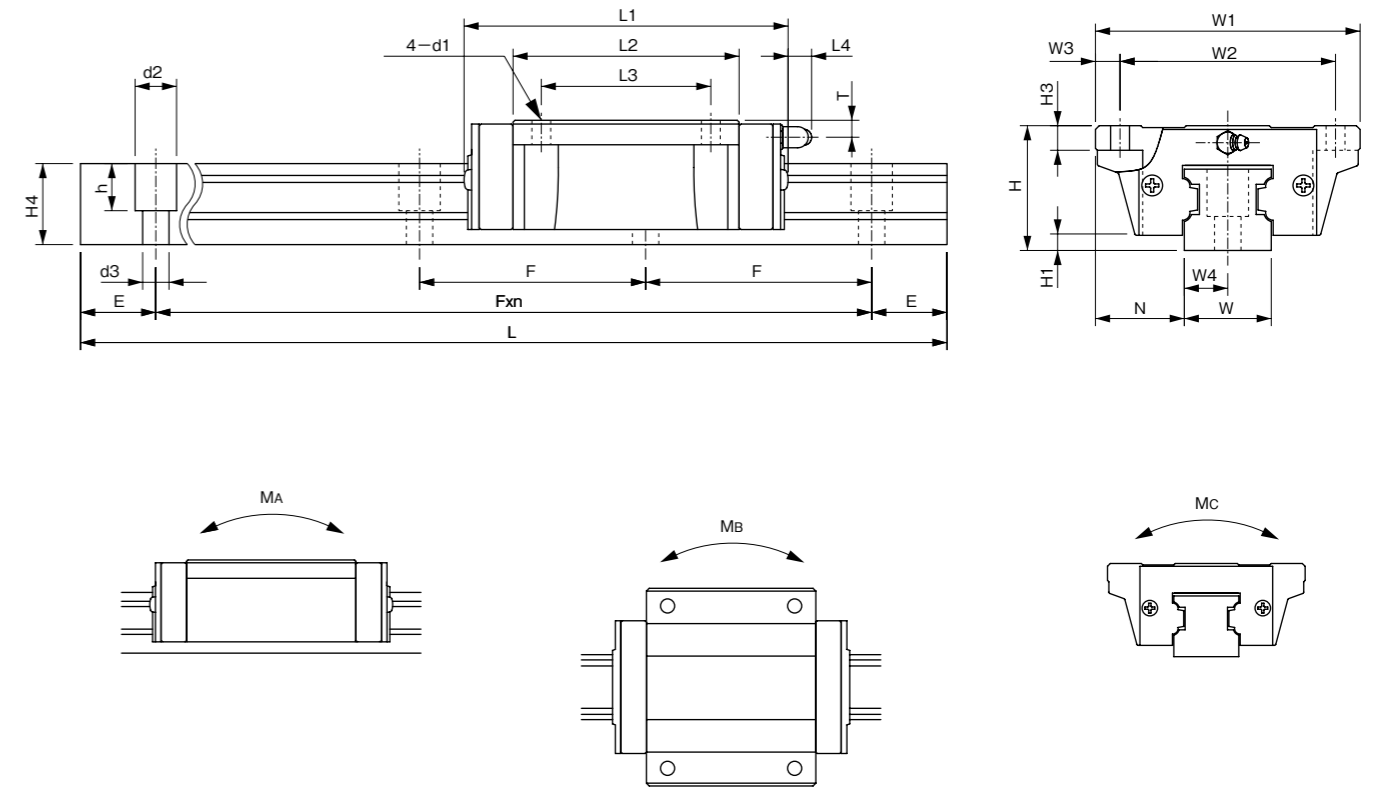
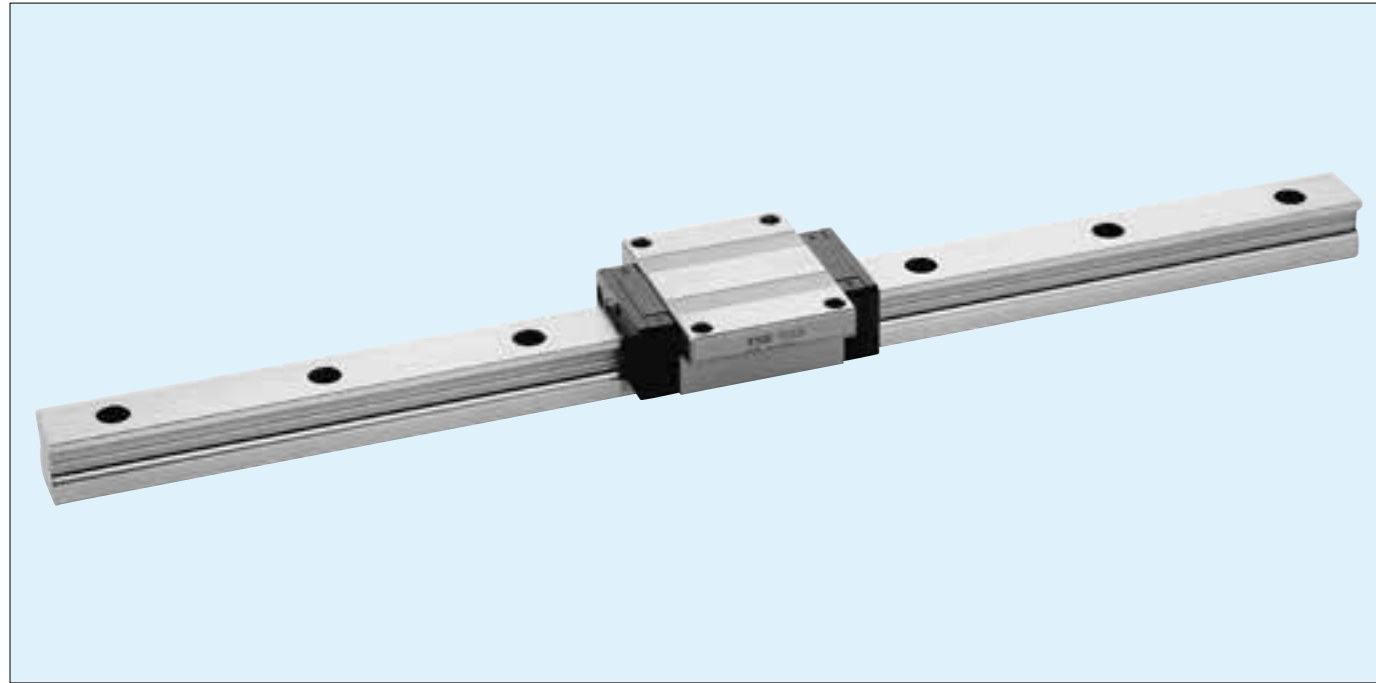


TSK Heavy-Load, Standard Rail, LMB Guide HS-A Series (Normal Block, Drilled Hole Type)



Model Number	Dimensions of Assembly			Slide Block Dimensions									
	H	H1	N	W1	W2	W3	L1	L2	L3	L4	H3	d1	T
HS15A	24	4.6	16	47	38	4.5	59	38.5	30	0	7	4.5	3.5
HS20A	30	5	21.5	63	53	5	73	50	40	0	8	6	5.2
HS25A	36	6.5	23.5	70	57	6.5	84	59	45	12	10	7	6
HS30A	42	7	31	90	72	9	97	68	52	12	13	9	5.5
HS35A	48	8	33	100	82	9	113	80	62	12	13	9	7.5
HS45A	60	11	37.5	120	100	10	140	102	80	16	15	11	8.5
HS55A	70	14	43.5	140	116	12	160	124	95	16	17	14	10
HS65A	85	14	53.5	170	142	14	189	148	110	16	20	16	13

Unit : mm

Rail Dimensions								Basic Load Rating [N]		Static Rated Moment [N · M]			Weight	
W	W4	H4	d2	d3	h	E	F	C	Co	MA	Mb	Mc	Block [kg]	Rail [kg/m]
15	7.5	17	7.5	4.5	7	20	60	8816	17020	117	117	180	0.19	1.7
20	9.5	21	9.5	6	11	20	60	14210	26590	229	229	369	0.4	2.8
23	11.5	24	11	7	11	20	60	20950	38290	395	395	614	0.64	3.6
28	14	28	14	9	14	20	80	29100	52100	627	627	1003	1.1	5.1
34	17	32	14	9	15	20	80	38730	68060	936	936	1576	1.6	7.3
45	22.5	42	20	14	21	22.5	105	62380	106300	1829	1829	3201	2.7	12.6
53	26.5	48	23	16	24	30	120	97120	165900	3687	3687	5873	5.0	17.1
63	31.5	58	26	18	25	35	150	148000	239300	6173	6173	10280	10.0	24.6

Code Name

