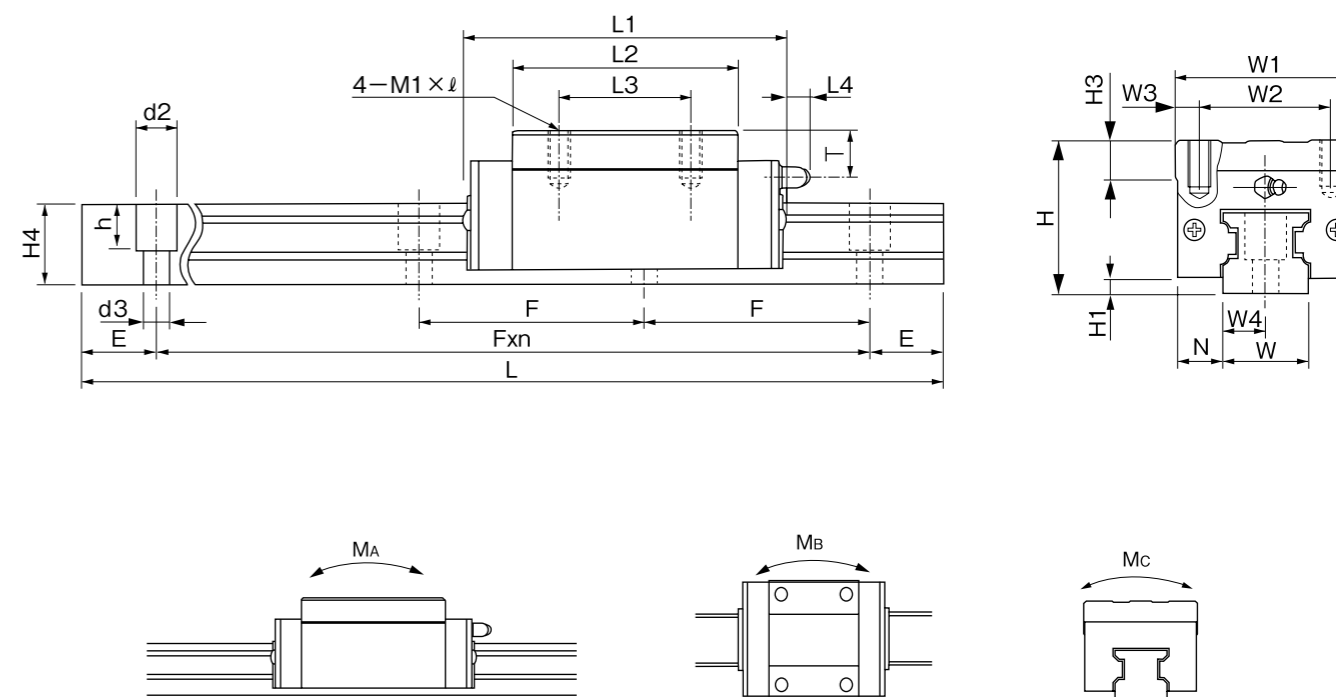
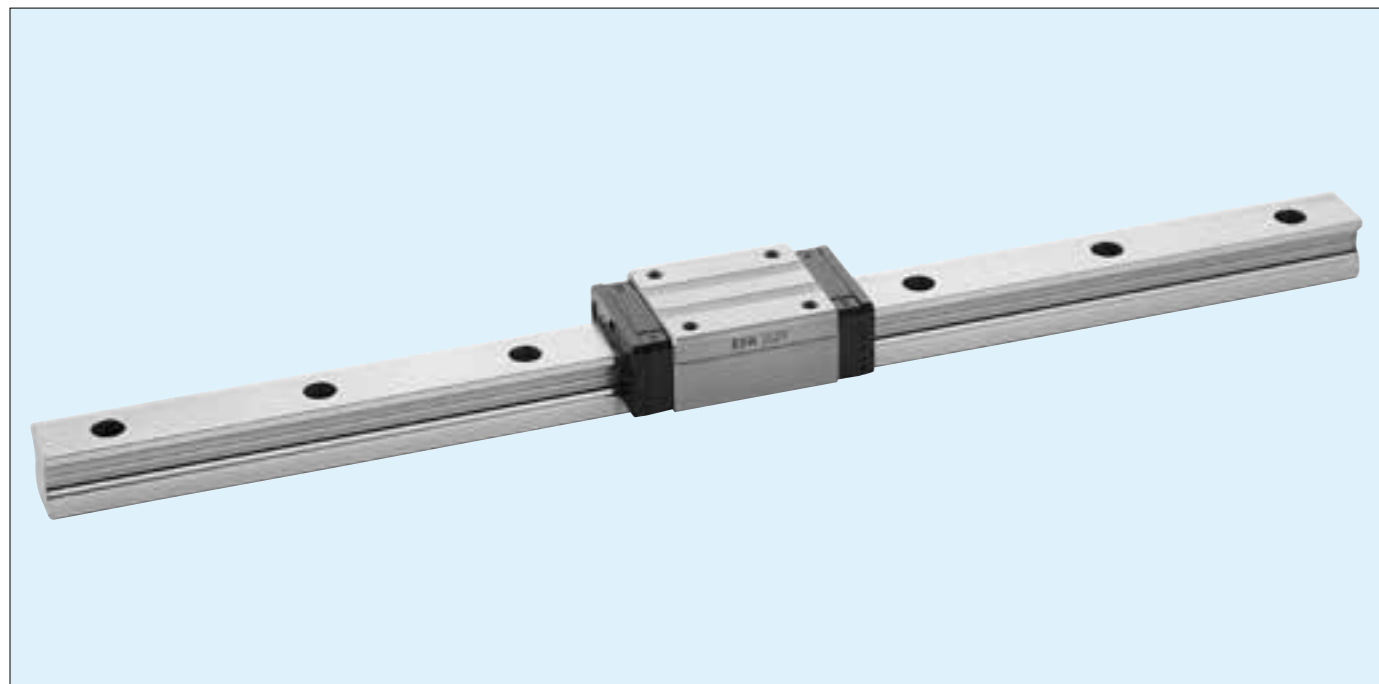


TSK Heavy-Load, Standard Rail, LMB Guide HS-R Series (Normal Block)



Model Number	Dimensions of Assembly			Slide Block Dimensions									
	H	H1	N	W1	W2	W3	L1	L2	L3	L4	H3	M1 × ℓ	T
HS15R	28	4.6	9.5	34	26	4	59	38.5	26	0	6	M 4 × 5	7.5
HS20R	30	5	12	44	32	6	73	50	36	0	8	M 5 × 6	5.2
HS25R	40	6.5	12.5	48	35	6.5	84	59	35	12	8	M 6 × 8	10
HS30R	45	7	16	60	40	10	97	68	40	12	8	M 8 × 10	8.5
HS35R	55	8	18	70	50	10	113	80	50	16	10	M 8 × 12	14.5
HS45R	70	11	20.5	86	60	13	140	102	60	16	15	M10 × 17	18.5
HS55R	80	14	23.5	100	75	12.5	160	124	75	16	18	M12 × 18	20
HS65R	90	14	31.5	126	90	18	189	148	70	16	23	M16 × 20	18

Unit : mm

Rail Dimensions								Basic Load Rating [N]		Static Rated Moment [N · M]			Weight	
W	W4	H4	d2	d3	h	E	F	C	Co	M _A	M _B	M _C	Block [kg]	Rail [kg/m]
15	7.5	17	7.5	4.5	7	20	60	8816	17020	117	117	180	0.20	1.7
20	10	21	9.5	6	11	20	60	14210	26590	229	229	367	0.29	2.8
23	11.5	24	11	7	11	20	60	20950	38290	395	395	614	0.52	3.6
28	14	28	14	9	14	20	80	29100	52110	627	627	1003	0.85	5.1
34	17	32	14	9	15	20	80	38730	68060	936	936	1576	1.5	7.3
45	22.5	42	20	14	21	22.5	105	62380	106300	1829	1829	3201	2.8	12.6
53	26.5	48	23	16	24	30	120	97120	165900	3687	3687	5873	4.4	17.1
63	31.5	58	26	18	25	35	150	148000	239300	6173	6173	10280	7.9	24.6

Code Name

