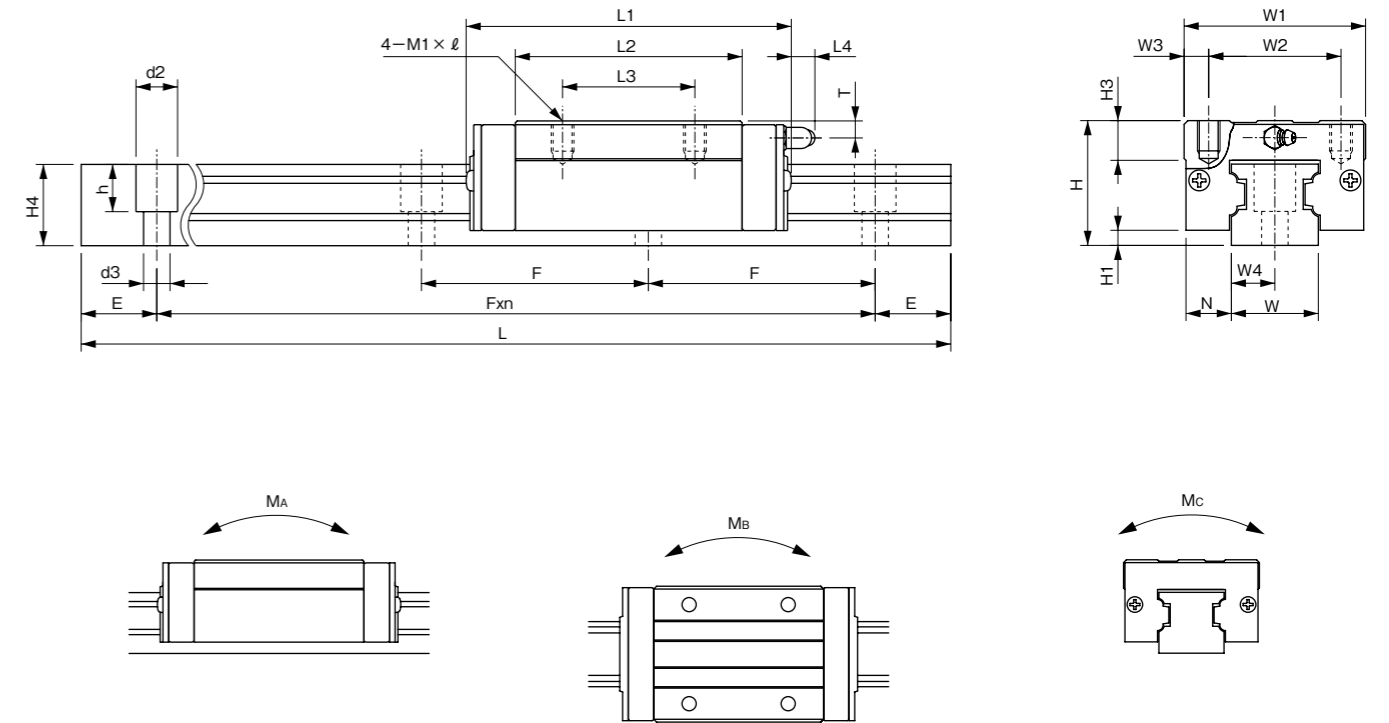
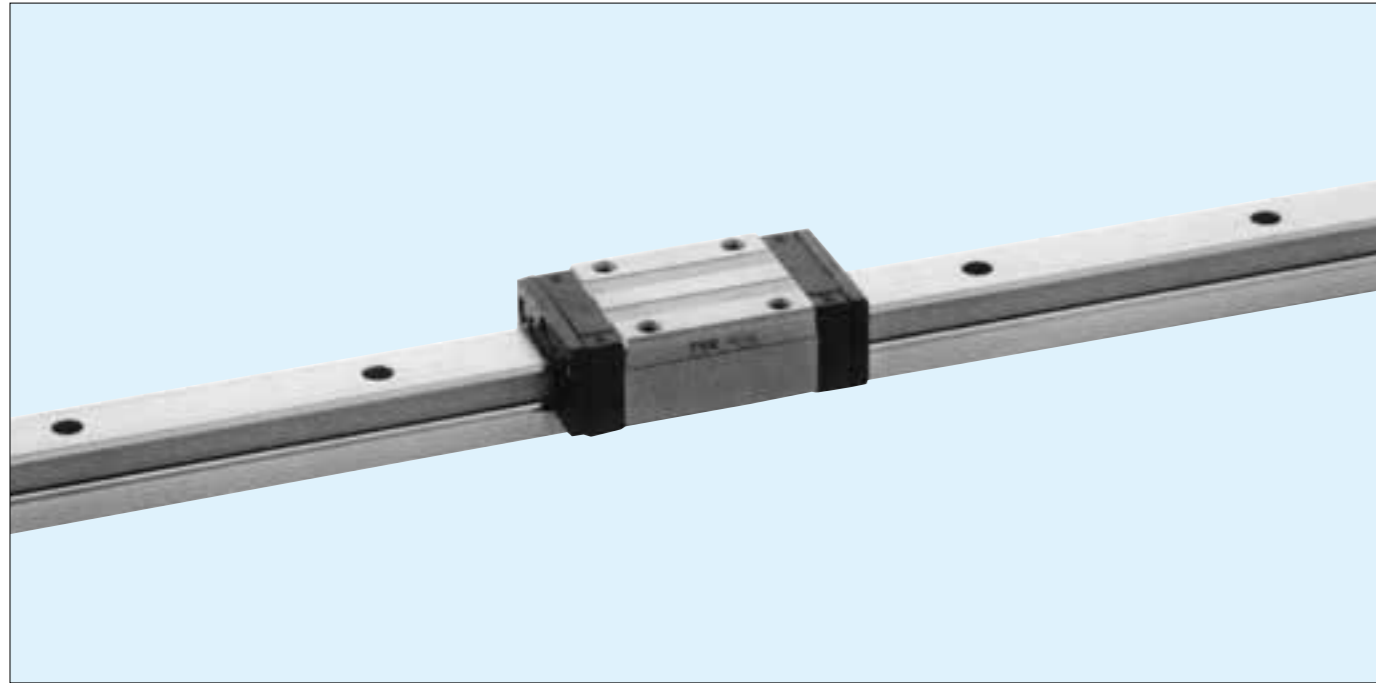


TSK Heavy-Load, Compact Rail, LMB Guide HC-L Series (Normal Block Type)



Model Number	Dimensions of Assembly			Slide Block Dimensions									
	H	H1	N	W1	W2	W3	L1	L2	L3	L4	H3	M1 × ℓ	T
HC15L	24	4.6	9.5	34	26	4	59	38.5	26	0	6	M 4 × 5	3.5
HC20L	28	4	11	42	32	5	73	50	32	0	7.5	M 5 × 7	4
HC25L	33	4	12.5	48	35	6.5	84	59	35	12	8	M 6 × 8	5.5
HC30L	42	7	16	60	40	10	97	68	40	12	8	M 8 × 10	5.5
HC35L	48	8	18	70	50	10	113	80	50	12	10	M 8 × 12	7.5
HC45L	60	11	20.5	86	60	13	140	102	60	14	15	M10 × 16	8.5
HC55L	68	12	26	100	75	12.5	160	124	75	14	18	M12 × 18	10

Unit : mm

Rail Dimensions								Basic Load Rating [N]		Static Rated Moment [N · M]			Weight	
W	W4	H4	d2	d3	h	E	F	C	Co	M _a	M _b	M _c	Block [kg]	Rail [kg/m]
15	7.5	17	6	3.5	9	20	60	8816	17020	117	117	180	0.16	1.7
20	10	19.5	9.5	6	12	20	60	14210	26590	229	229	367	0.26	2.5
23	11.5	21.5	11	7	12.5	20	60	20950	38290	395	395	614	0.47	3.2
28	14	28	11	7	14	20	80	29100	52110	627	627	1003	0.78	5.2
34	17	32	14	9	15	20	80	38730	68060	936	936	1576	1.2	7.3
45	22.5	42	17.5	11	20.5	22.5	105	62380	106300	1829	1829	3201	2.2	12.8
48	24	46	20	14	25	30	120	97120	165900	3687	3687	5873	4.3	14.7

Code Name

