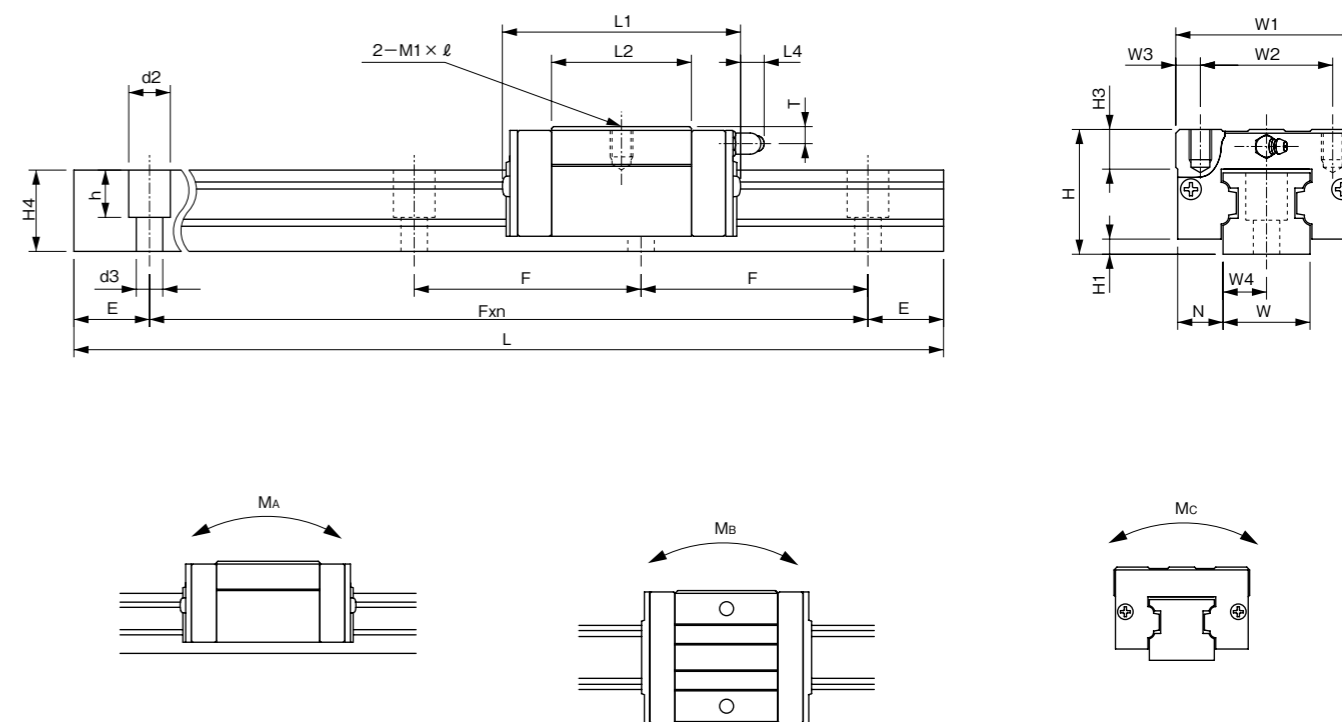
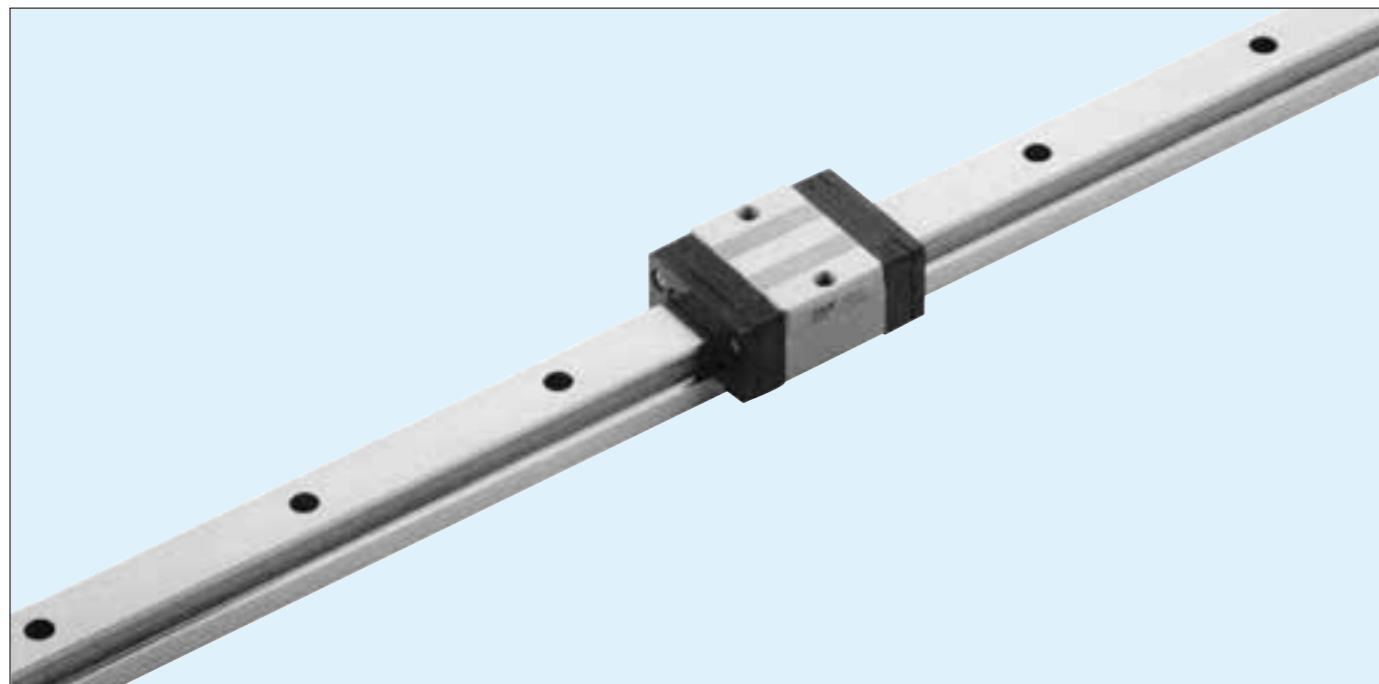


TSK Heavy-Load, Compact Rail, LMB Guide HC Series (Short Block Type)



Model Number	Dimensions of Assembly			Slide Block Dimensions								
	H	H1	N	W1	W2	W3	L1	L2	L4	H3	$M1 \times \ell$	T
HC15	24	4.6	9.5	34	26	4	46	25	0	6	$M4 \times 5$	3.5
HC20	28	4	11	42	32	5	53	30	0	7.5	$M5 \times 7$	4
HC25	33	4	12.5	48	35	6.5	61	36	12	8	$M6 \times 8$	5.5
HC30	42	7	16	60	40	10	73	44	12	8	$M8 \times 10$	5.5
HC35	48	8	18	70	50	10	85	52	12	10	$M8 \times 12$	7.5

Unit : mm

Rail Dimensions								Basic Load Rating [N]		Static Rated Moment [N · M]			Weight	
W	W4	H4	d2	d3	h	E	F	C	Co	M_A	M_B	M_C	Block [kg]	Rail [kg/m]
15	7.5	17	6	3.5	9	20	60	6067	9926	42	42	105	0.11	1.7
20	10	19.5	9.5	6	12	20	60	9752	15510	82	82	214	0.18	2.5
23	11.5	21.5	11	7	12.5	20	60	14390	22330	142	142	358	0.29	3.2
28	14	28	11	7	14	20	80	20020	30400	225	225	585	0.53	5.2
34	17	32	14	9	15	20	80	29130	45380	432	432	1050	0.84	7.3

Code Name

