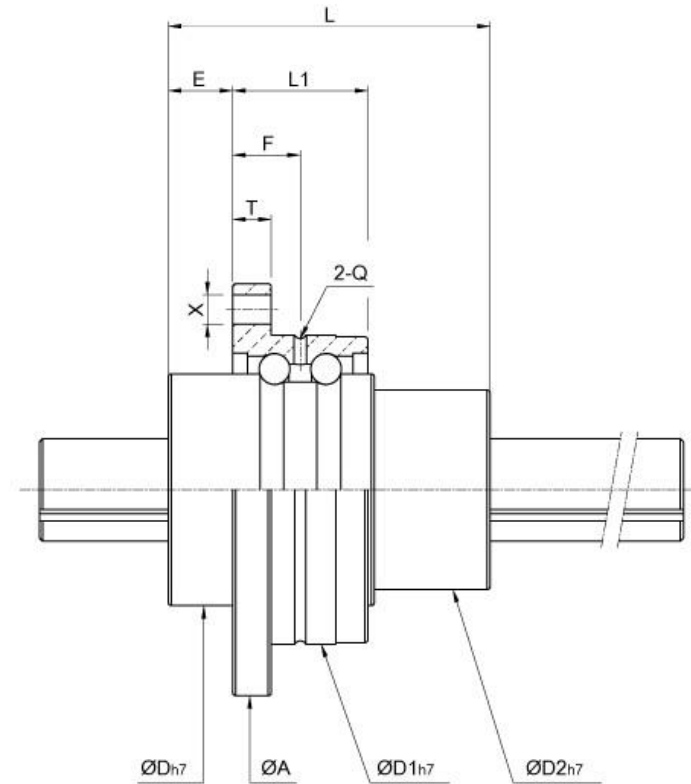
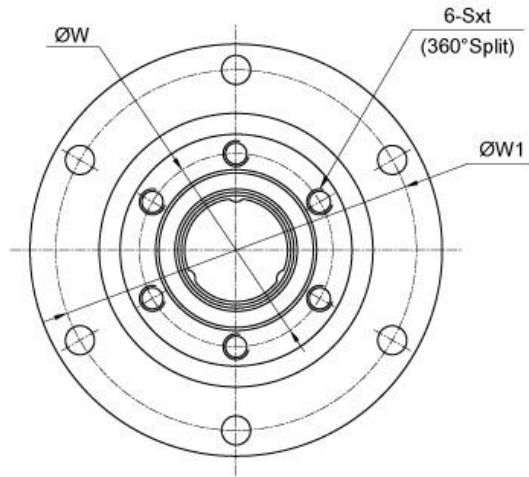


# STRA



Model No.	Size														Basic torque rating		Basic load rating		Static permissible moment $M_A$ (N·m)	Support bearing basic load rating		Mass		
	Diameter		O.D.			Length	Flange diameter			Bolt	Oil hole	E	L1	Shaft diameter	Rows of balls	$C_r$ (N·m)	$C_{or}$ (N·m)	$C_a$ (kN)		$C_o$ (kN)	$C_a$ (kN)	$C_o$ (kN)	Nut (kg)	Shaft (kg/m)
	$D_{1h7}$	$D_{h7}$	W	S×t	$D_{2h7}$	L	A	T	$W_1$	X	F													
<b>16</b>	48	36	30	M4×0.7P×6	31	50	64	6	56	4.5	10.5	10	21	16	3	31.4	34.3	6.9	12.4	60	6.74	6.36	0.33	1.56
<b>20</b>	56	43.5	36	M5×0.8P×8	35	63	72	6	64	4.5	10.5	12	21	20	3	56.8	55.8	10.1	17.8	120	7.49	8.16	0.48	2.44
<b>25</b>	66	52	44	M5×0.8P×8	42	71	86	7	75	5.5	12.5	13	25	25	3	105	103	15.2	25.3	180	9.45	10.65	0.75	3.82