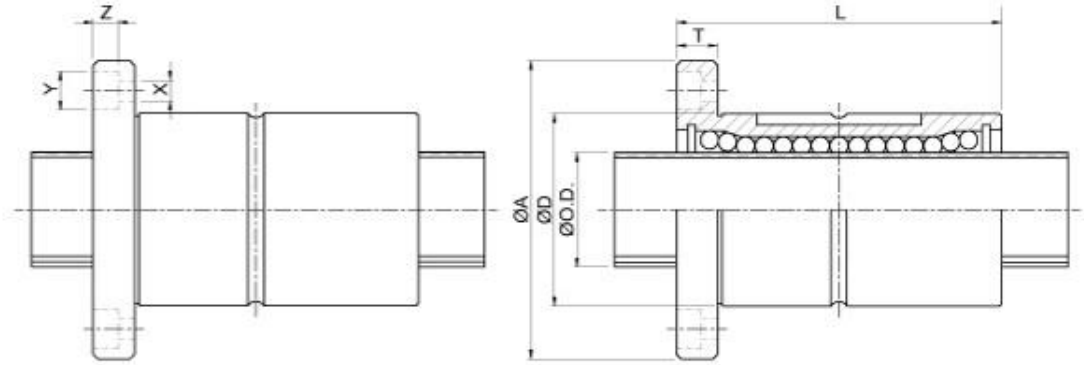
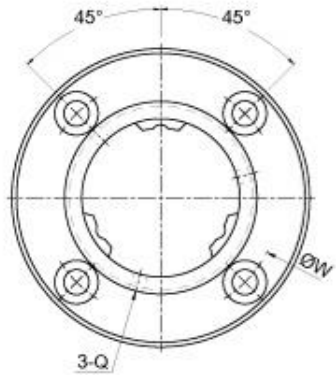


SLF



Model No.	Size													Basic torque rating		Basic load rating		Static permissible moment		Mass		
	Diameter		Length		Flange diameter			Bolt				Greasing hole	Shaft diameter	Rows of balls	C_r	C_{or}	C_a	C_o	M_{A1}	M_{A2}	Nut	Shaft
	D	Tolerance	L	Tolerance	T	A	Tolerance	W	X	Y	Z	Q	O.D.		(N·m)	(N·m)	(kN)	(kN)	(N·m)	(N·m)	(g)	(kg/m)
16	31	$\begin{matrix} 0 \\ -0.013 \end{matrix}$	50	$\begin{matrix} 0 \\ -0.2 \end{matrix}$	7	51	$\begin{matrix} 0 \\ -0.2 \end{matrix}$	40	4.5	8	4.4	2	16	3	31.4	34.3	7.6	12.4	60	360	207	1.56
20	35	$\begin{matrix} 0 \\ -0.016 \end{matrix}$	63	$\begin{matrix} 0 \\ -0.2 \end{matrix}$	9	58		45	5.5	9.5	5.4	2	20	3	56.8	55.8	11.2	19.5	120	720	303	2.44
25	42	$\begin{matrix} 0 \\ -0.016 \end{matrix}$	71	$\begin{matrix} 0 \\ -0.3 \end{matrix}$	9	65		52	5.5	9.5	5.4	3	25	3	105	103	15.2	25.3	180	1140	397	3.82