

Feature

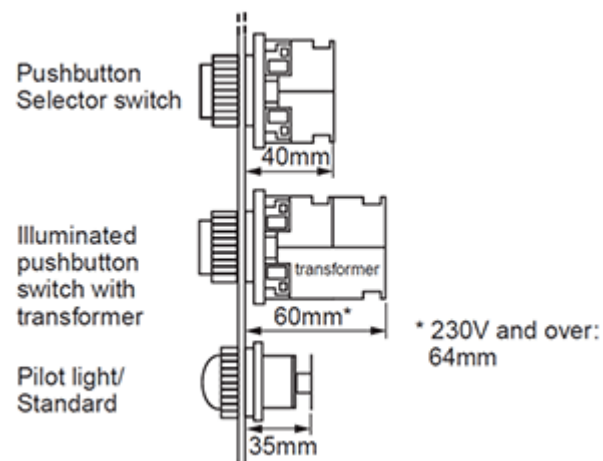
Quick-replacement contact blocks and transformer units

The snap-on construction makes replacement and addition of contact blocks and transformer units very simple and straightforward.

Oil-and dust-proof operator module construction

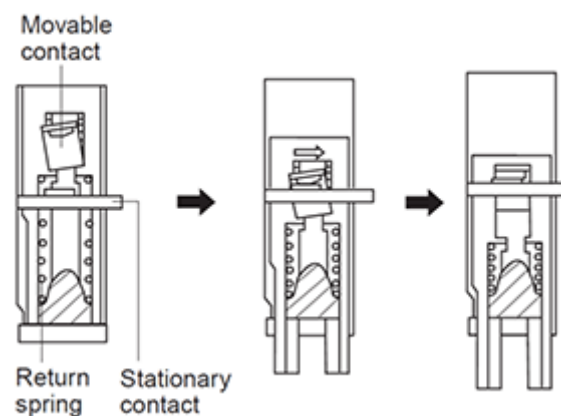
The protection level of the AM22/DM22 operator modules conforms to IEC Standard IP65. The special seals protect the operator modules and switch mechanisms against oil, dust, and grime, thus ensuring high performance in dusty and moist environments.

Miniaturization



- Pushbutton and selector switches with 1NO+1NC: 40mm deep
Pilot lights: 35mm deep
- The transformer now occupies far less space.

Self-cleaning contacts



Metal nut



Safety

- A terminal cover is provided, assuring safety and security.
- FUJI's original Trigger Action mechanism is used in the emergency stop pushbuttons. They are suitable for emergency stop and safety. This mechanism prevents the contacts from moving until the button is pushed and locked.

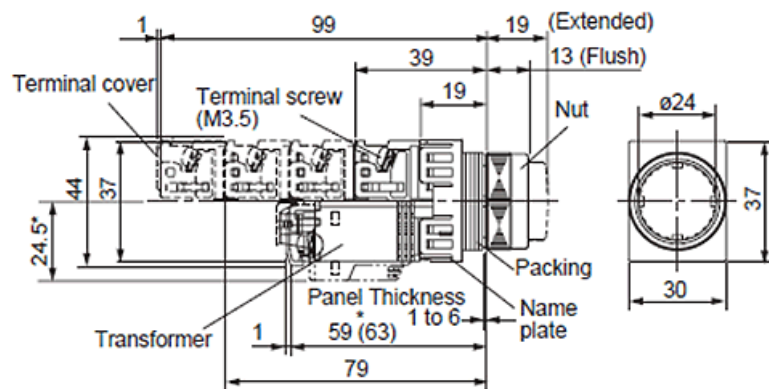
Protection

- Excellent oil-tight construction (IP65) of the operator.
- Closure of the contact block has been improved.

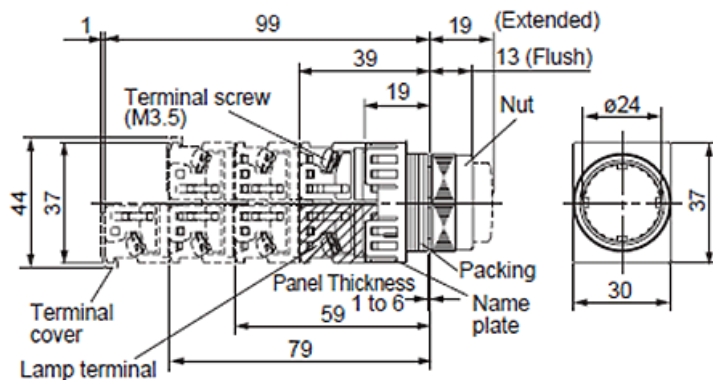
Illuminated pushbutton switches Flush/Extended AM22F0L, F5L, E0L, E5L

Flush/Extended

AM22F0L, F5L, E0L, E5L
With transformer



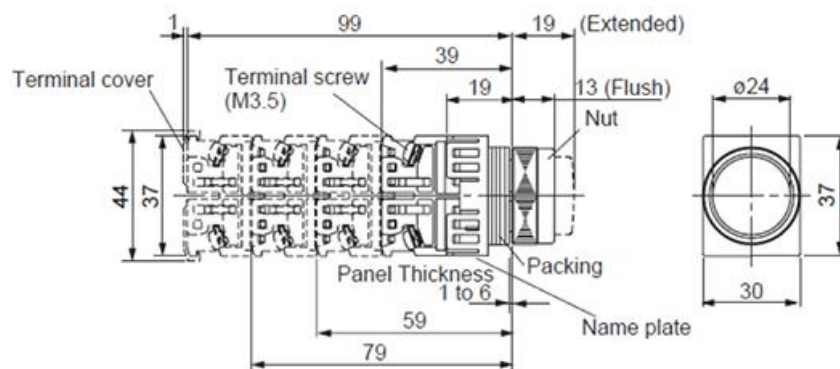
Without transformer



Pushbutton switches AM22F0R, F5R, E0R, E5R

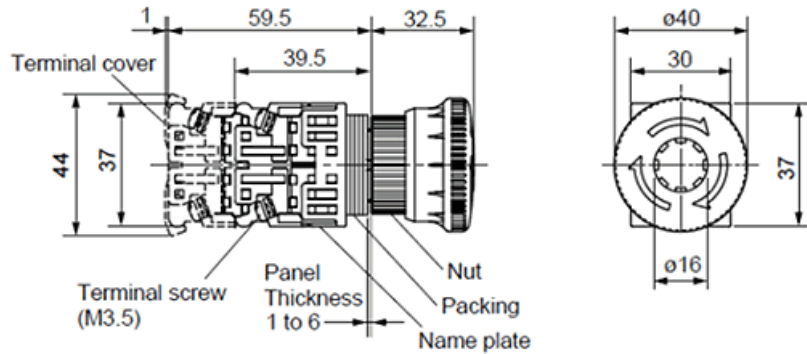
Flush/Extended

AM22F0R, F5R
AM22E0R, E5R



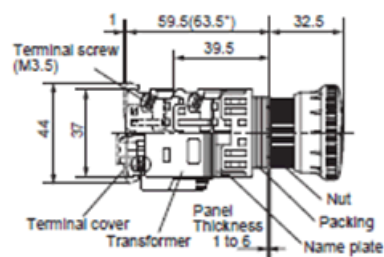
Emergency stop pushbutton switches AM22V0E

Push-lock, turn-reset (40mm dia. with white arrow) AM22V0E

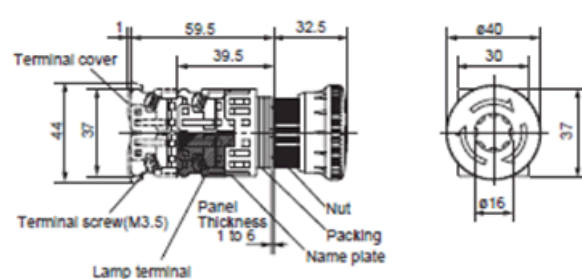


Emergency stop illuminated pushbutton switches AM22V0F

Push-lock, turn-reset (40mm dia. with white arrow) AM22V0F With transformer

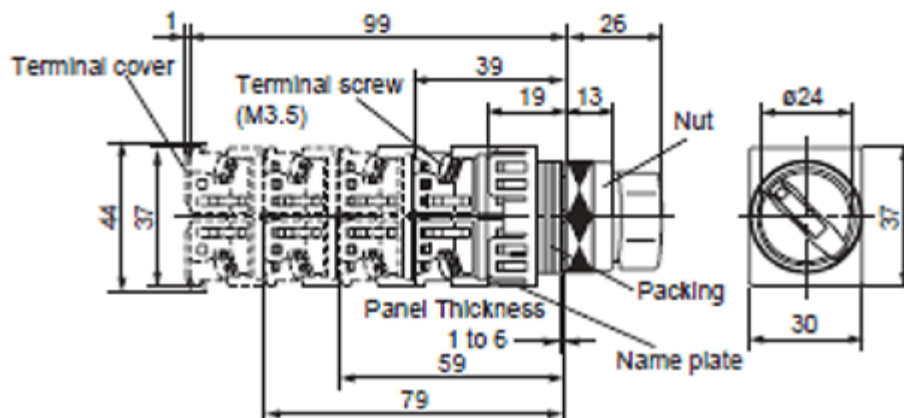


Without transformer



Selector switches AM22PR, PCR

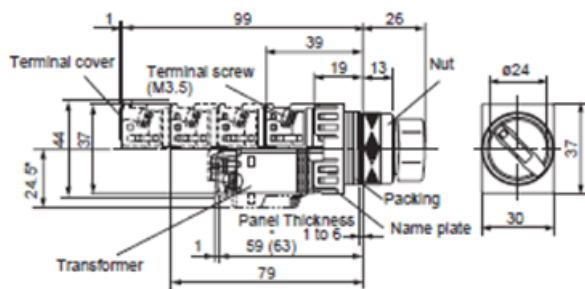
Knob AM22PR, PCR



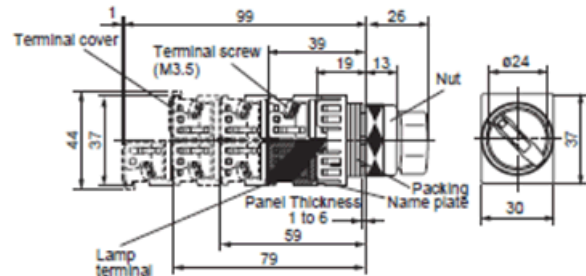
Illuminated selector switches AM22PL

Knob AM22PL

With transformer



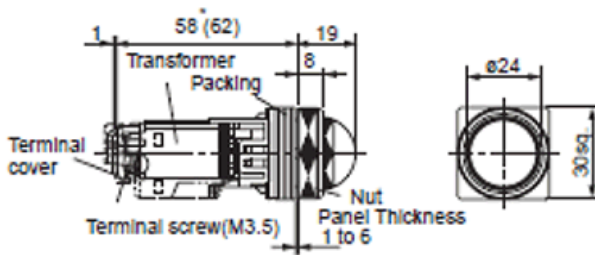
Without transformer



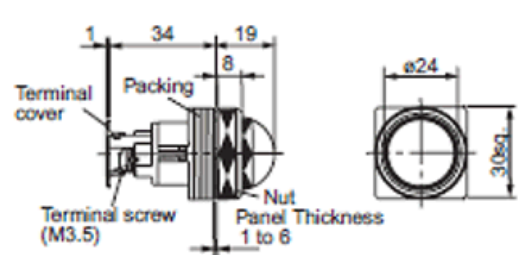
Pilot lights DM22D0L

Dome DM22D0L

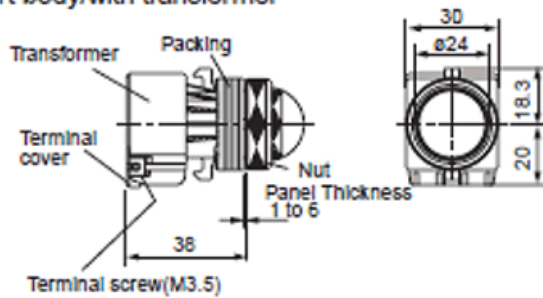
With transformer, with resistor unit



Without transformer



Short body/with transformer



Note: * Except for the types 110V AC, 127V AC and 220V AC.