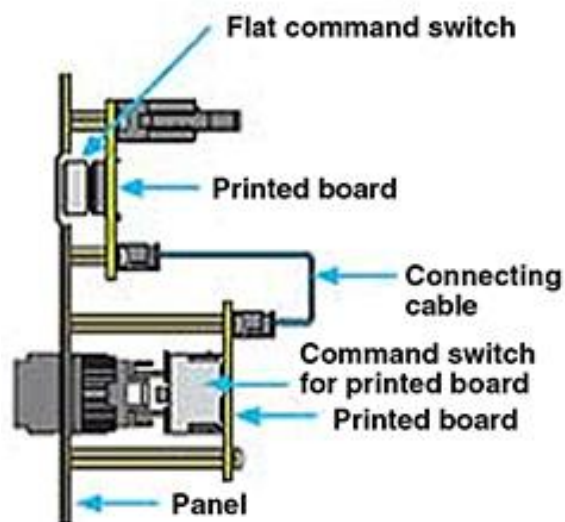


# AH16P, AH16P-2 and AH22P Series

## Feature

Mounted on a panel using round mounting hole for direct connection with printed board

- Operator/indicator can be separate from contacts, making maintenance easy
- Deploys 3-mm-long stroke with click feeling for push button
- Standard class products conform to UL/CSA and TUV (EN) standards. CE marking attached.



## Types and ratings

### Contact rating

Conventional free air thermal current (rated thermal current) I <sub>th</sub> [A]	AC			DC			Notes
	Rated operational voltage [V]	Rated operational current [A]		Rated operational voltage [V]	Rated operational current [A]		
		AC-13 (inductive load)	AC12 (resistive load)		AC-13 (inductive load)	AC12 (resistive load)	
5	110	10	1.5	24	0.7*	1.0	NECA C4521 (2002) is employed as testing criteria for rated operational current *T <sub>0.95</sub> = 21ms
	220	0.7	1.0	110	0.15*	0.2	

## Specifications

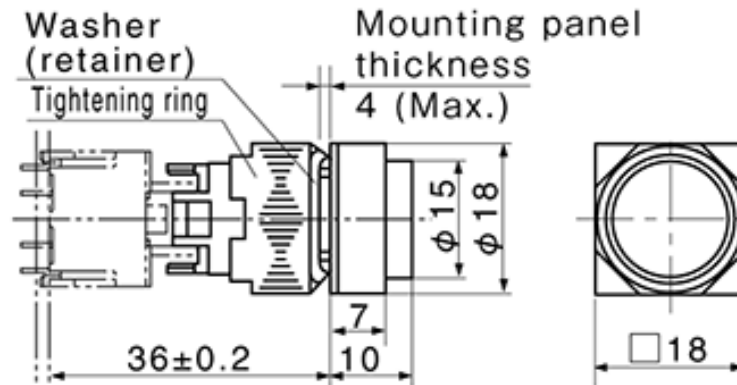
Item	AH16P, AH16P-2, AH22P types	
Rated insulation voltage	AC/DC250V	
Ambient temperature (inside the panel)	-10 to +70°C (with pilot light, -10 to +55°C, key type; -10 to +60°C) with no condensation or icing	
Insulation resistance	100 MΩ or more	
Dielectric withstanding voltage	(between live section and ground)	2000 V AC, 1 minute
	(between different electrodes live sections)	1500 V AC, 1 minute (between lamp and contact terminals)
Vibration	Resonance test: 10-55 Hz, double amplitude 0.1 mm Constant vibration durability test: 16.7 Hz, double amplitude 3 mm	
Shock	Malfunction: 100 m/s <sup>2</sup> , Durability: 500 m/s <sup>2</sup>	
Relative humidity	45 to 85% RH (at -5 to +40°C), with no condensation or icing	
Durability	Mechanical	1 million (pushbutton switch) 250,000 (alternate pushbutton switch, lever-type, ring-type, selector switch) 100,000 (push-lock type) Key insertion/removal (10,000+)
	Electrical	100,000 (AC220V 0.7A)
Switching frequency	1200 operations/hour (40% capacity)	
Protective structure	IP65 (dust-proof, jet-proof)	
Terminal	Printed board terminal	

## Current or voltage consumption of the lamp

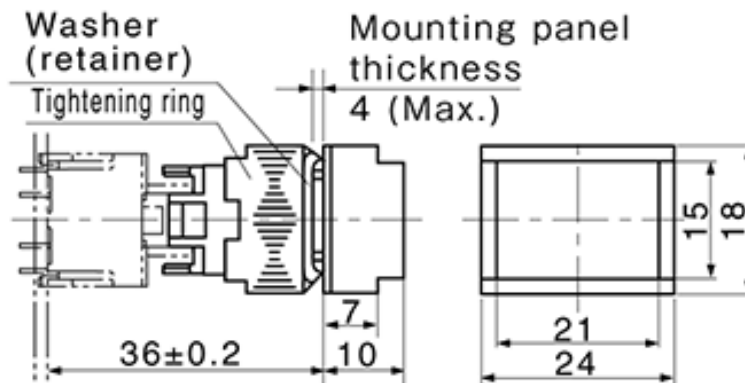
Rated operational voltage [V]	Current or voltage consumption	
	LED <high brightness LED illuminated model "PIKARI-KUN">	Incandescent lamp
	DC	AC/DC
5	7mA (Y: 28mA)	0.45W (6V)
6	7mA (Y: 28mA)	-
12	7mA	0.55W (14V)
24	7mA	0.55W (28V)

## Dimensions

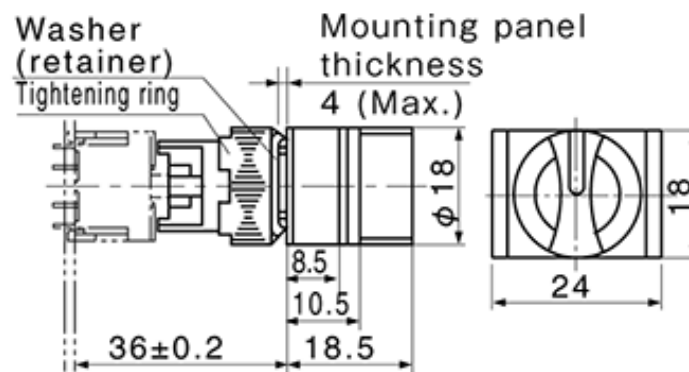
Illuminated pushbutton switch (e.g., AH16P-L)



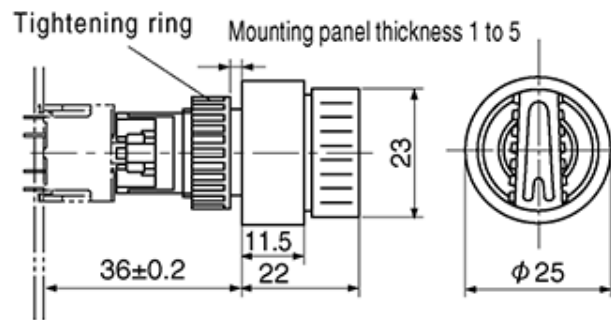
Pushbutton switch (e.g., AH16P-TF)



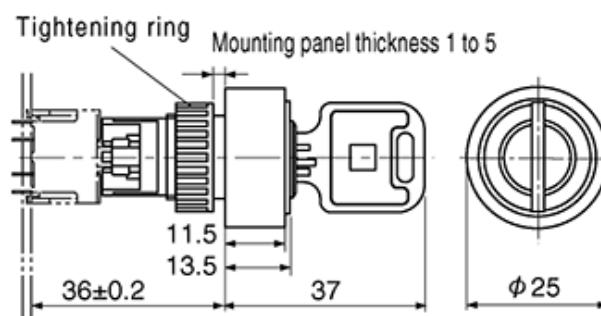
Pilot light (e.g., AH16P-ZS)



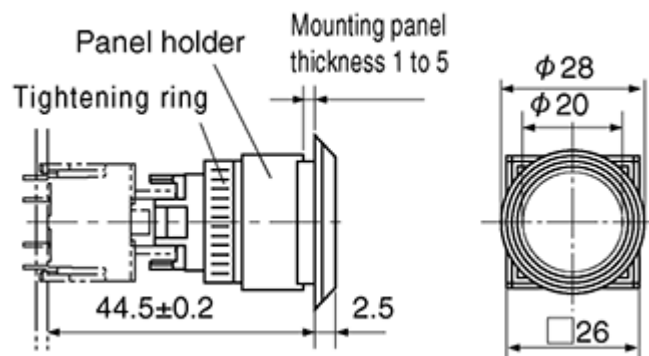
Selector switch (e.g., AH16P-2P)



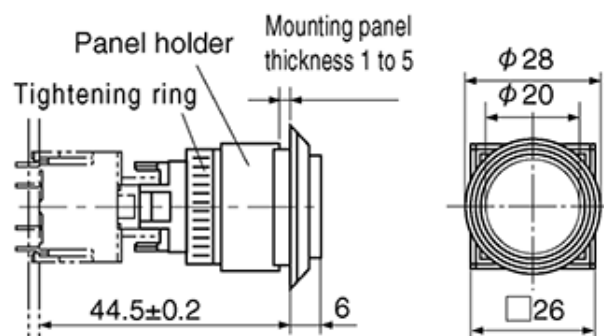
Key-shape selector switch (e.g., AH16P-2J)



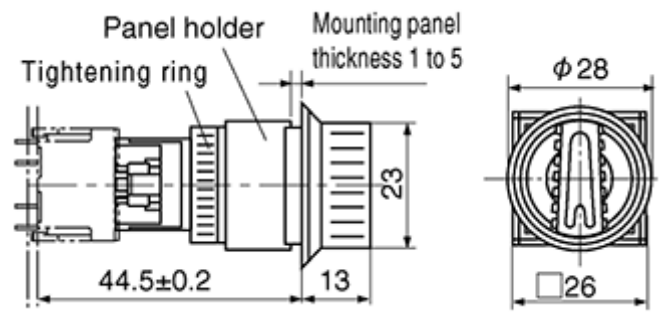
Illuminated pushbutton switch (e.g., AH22P-FL)



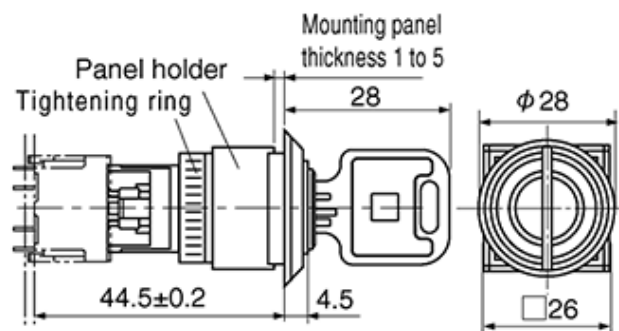
Pushbutton switch (e.g., AH22P-E)



Selector switch (e.g., AH22P-P)



Key-shape selector switch (e.g., AH22P-J)



Contact (e.g., AH16P-L)

